

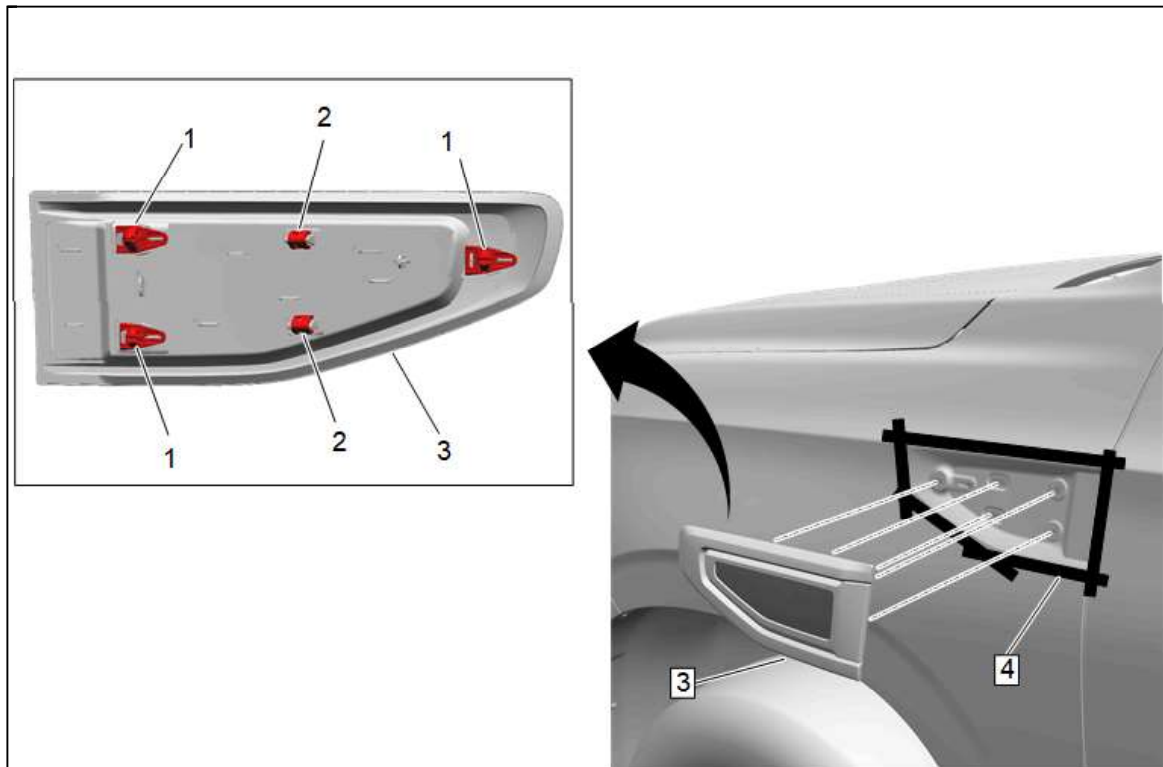
Denali Ultimate Trim Package Upgrade

2021-2023 Yukon

Print in Complete and separate sections if necessary



DISCLAIMER: The following steps are recommended to be completed by a professional and/or trained professional. If you do not feel comfortable with the installation please contact a reputable shop for an installation quote. If you wish to install yourself follow the steps below. These are baseline steps and proceeding is at your own discretion. We are not liable for any damages to vehicle, other property, or injury during or proceeding installation. These instructions may contain images or material from General Motors or AcDelco. This data is for reference purposes only. This informational document has no monetary value.



Caution: Only install black vent as a direct replacement of the existing vehicle content.

1. Apply a double layer of masking tape (4) around the perimeter of the painted surfaces.
2. Using a plastic flat bladed tool, disengage the retainers (1), clips (2) and remove fender vent (3).
3. Remove masking tape (4).

Front Side Door Molding Replacement

Removal Procedure

Caution: Refer to [Emblem/Nameplate Removal Heat Caution](#).

Caution: Refer to [Exterior Trim Emblem Removal Caution](#).

1. Apply a double layer of masking tape around the perimeter of the painted surfaces.



2. Use a heat gun or equivalent to warm the front side door molding (1).
3. Using a flat-bladed plastic trim tool, release the retaining clips.
4. Front Side Door Molding (1) » Remove

Installation Procedure

1. The part and surface should be 21°C (70°F) prior to installation. The vehicle should remain 21°C (70°F) for one hour after assembly to allow adhesive to develop sufficient bond strength.
2. Clean any remaining residue with a 50/50 mixture by volume of isopropyl alcohol and clean drinkable water. Wipe surface dry with a clean lint-free towel.
3. When removing protective liners from the adhesive tape, be careful not to touch tape with hands and do not allow tape to come in contact with dirt or any foreign matter prior to adhesion.



4. Front Side Door Molding (1) » Install

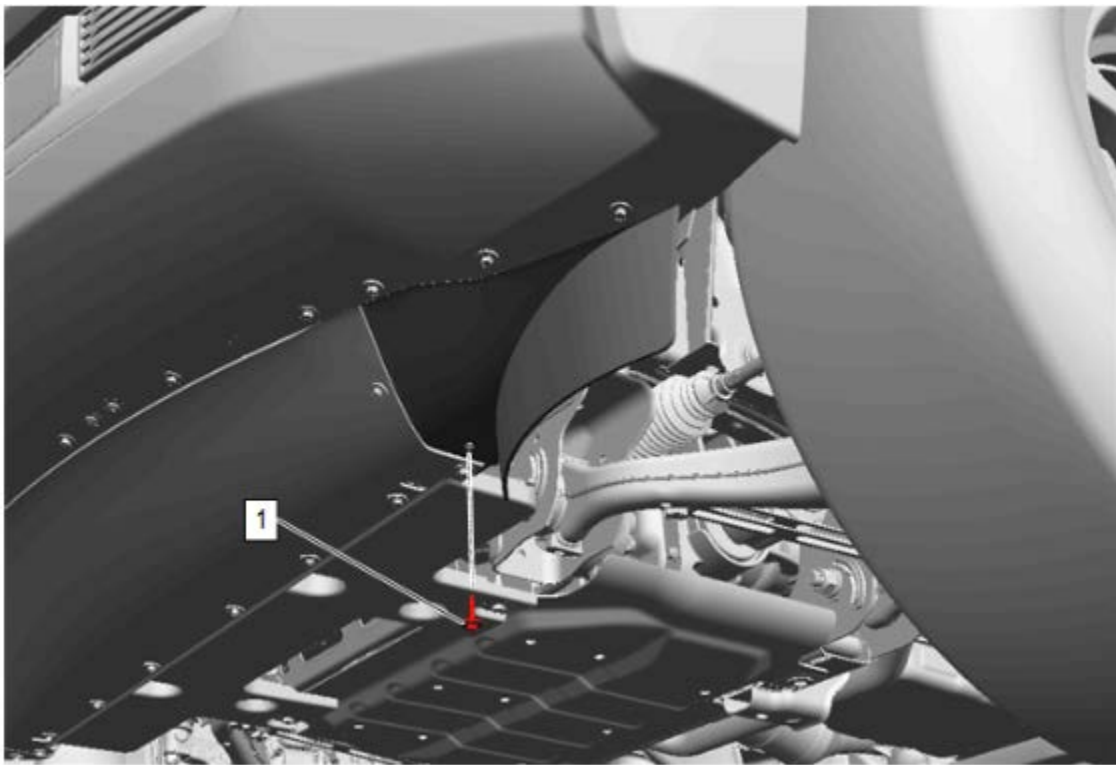


5. Using the palm of the hand press evenly to ensure full adhesion is made.
6. Remove the double layer of masking tape around the perimeter of the painted surfaces.
7. Using a 50/50 mixture of isopropyl alcohol and clean drinkable water with a clean towel, remove any left over adhesive residue from the masking tape.

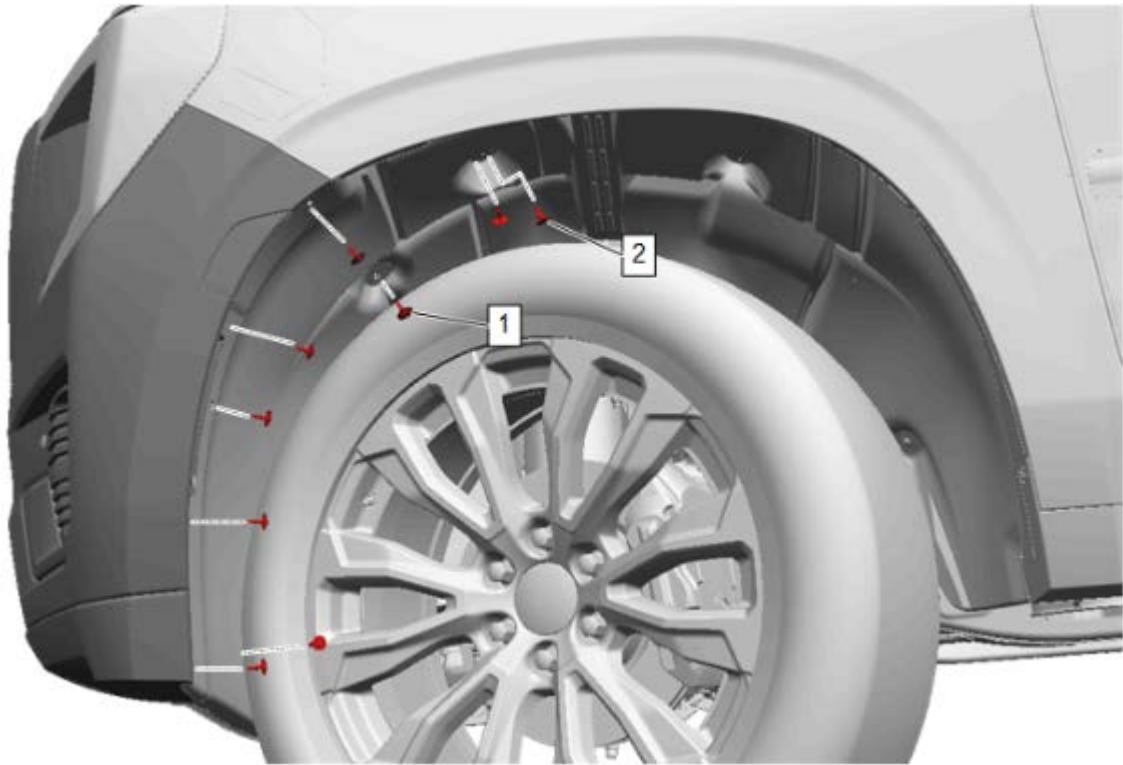
Front Bumper Fascia Removal and Installation (with Front Fascia Extension)

Removal Procedure

1. Raise and support the vehicle. [Lifting and Jacking the Vehicle](#)

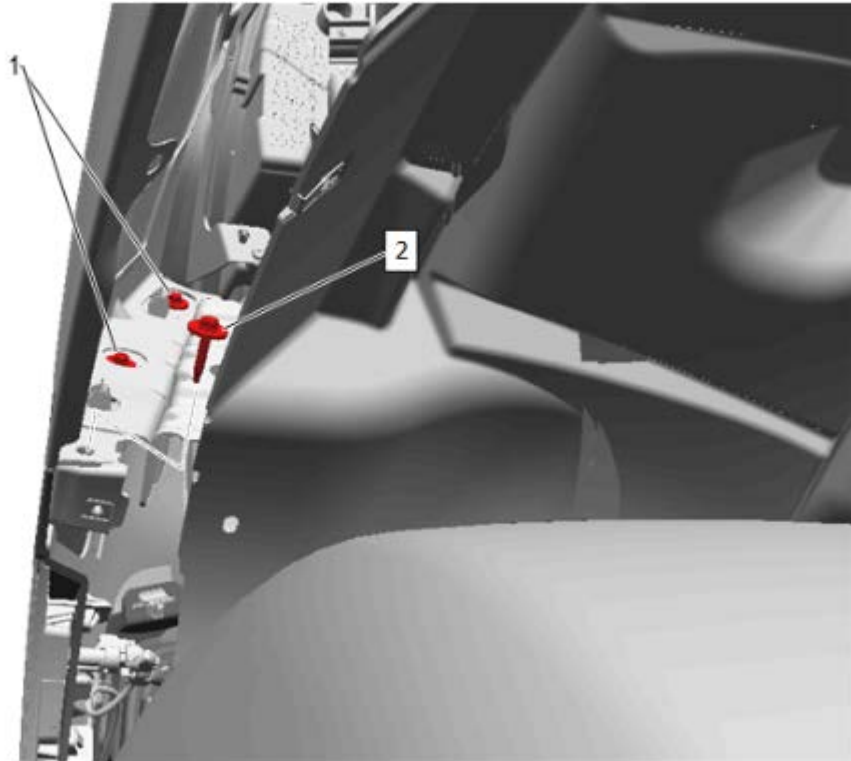


2. Remove the 2 left and right side front tire air deflector bolts (1).



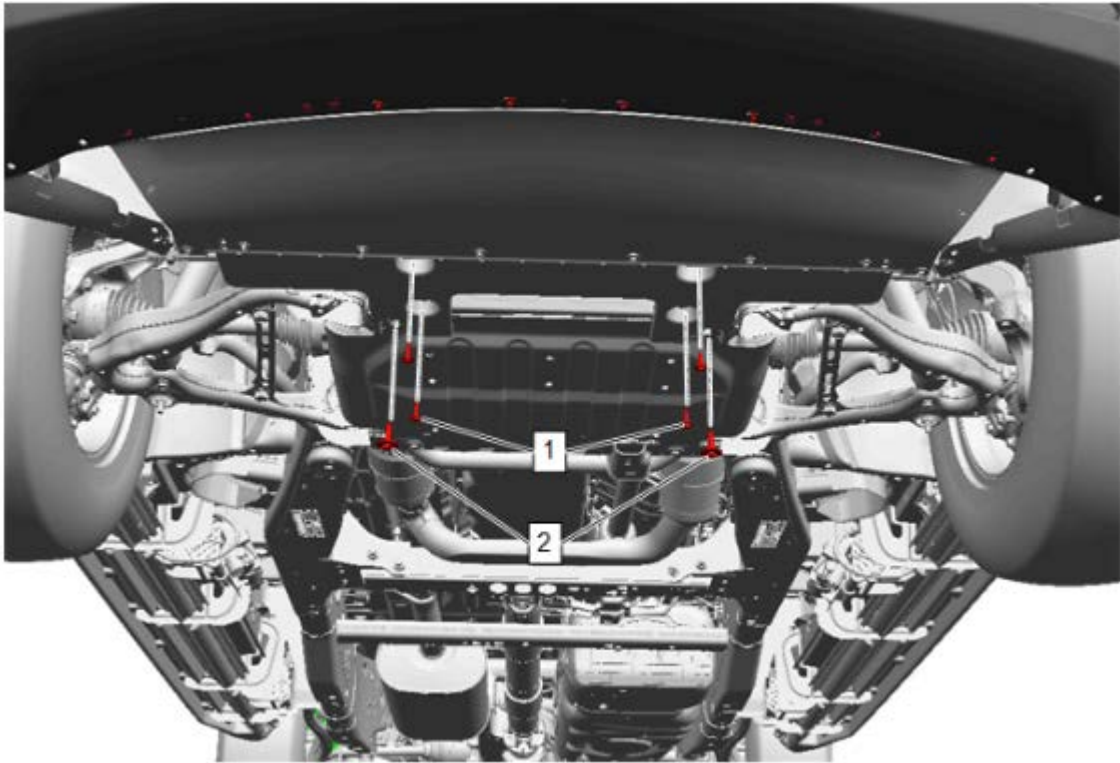
Note: Left side shown, right side similar.

3. Remove the 16 left and right side front wheelhouse liner bolts (1).
4. Remove the left and right side wheelhouse retainer (2).
5. Reposition the left and right side front wheelhouse liner.

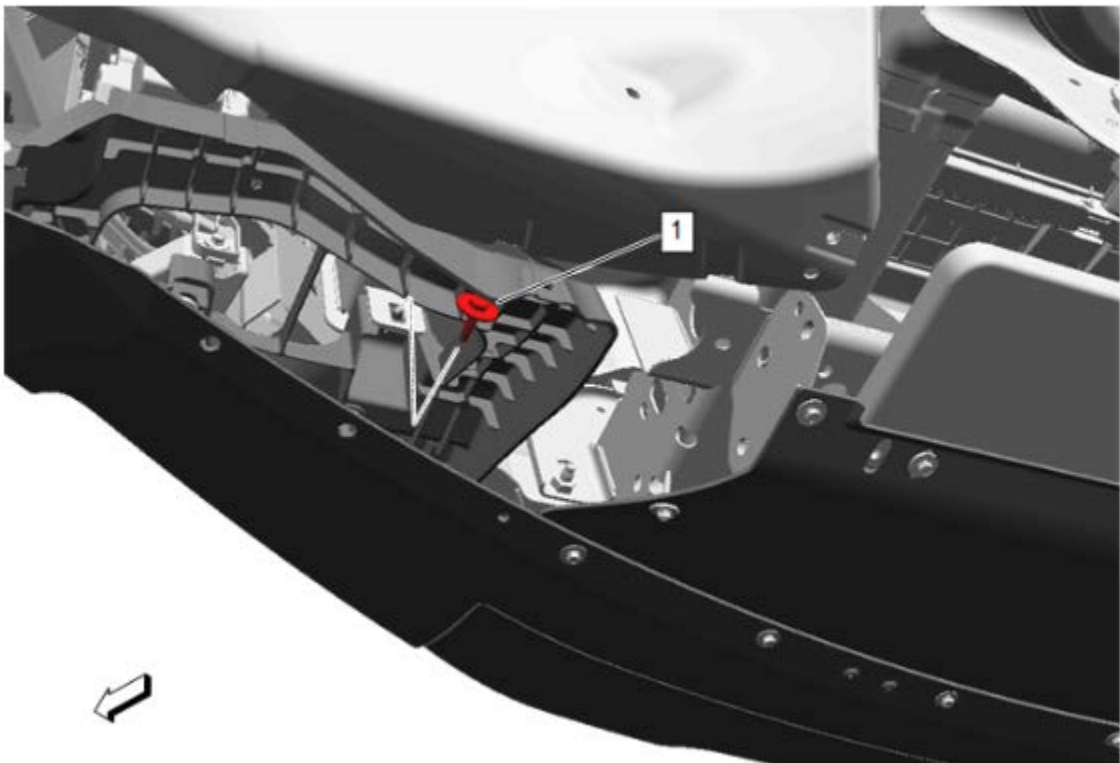


Note: Left side shown, right side similar.

6. Loosen the 4 left and right side front bumper fascia guide bolts (1).
7. Remove the left and right side front bumper fascia bolt (2).
8. Disconnect the left and right side front side marker lamp connector.



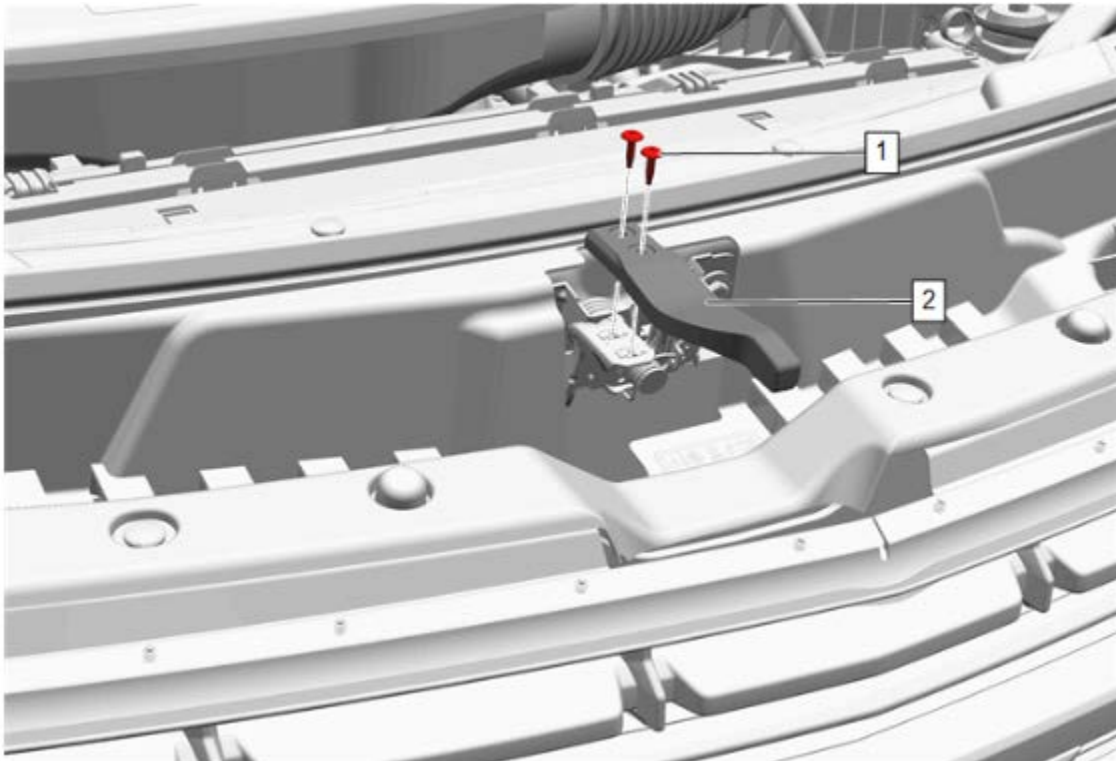
- 9. Front Bumper Fascia Extension Bolt (1) » Remove [4x]
- 10. Front Bumper Fascia Extension Bolt @ Skid Shield (2) » Remove [2x]



Note: Left side shown, right side similar.

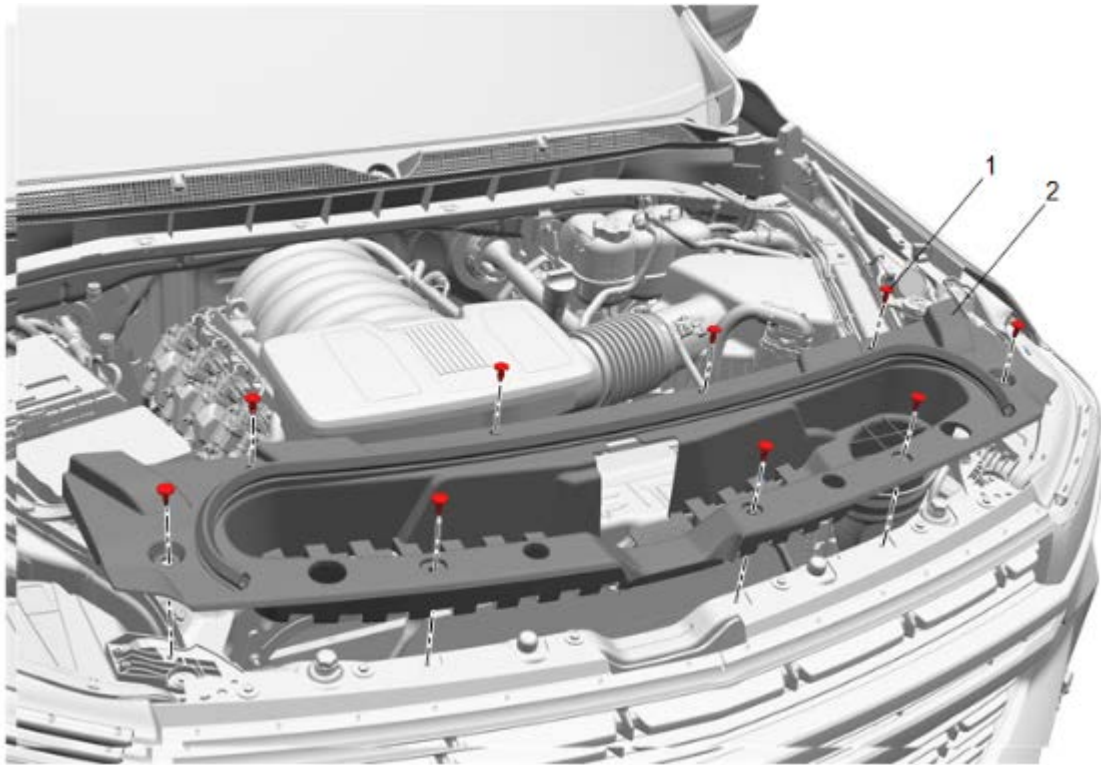
11. Remove the left and right side front bumper fascia support brace bolt (1).

12. Lower the vehicle.



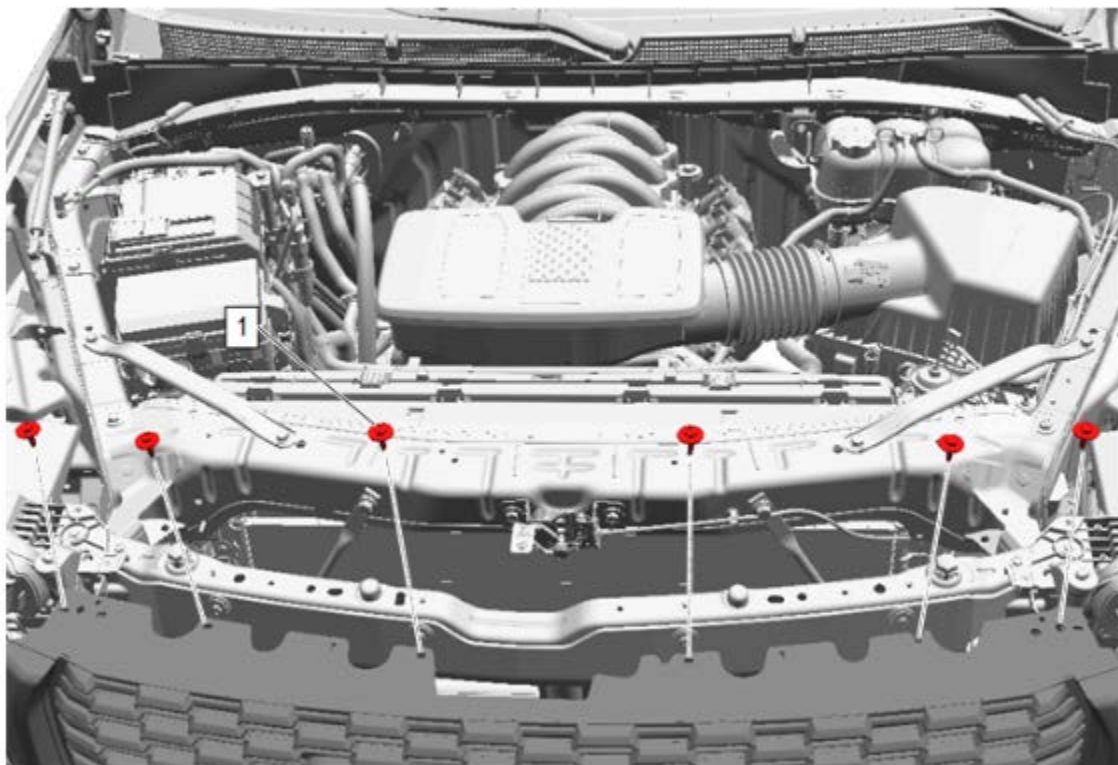
13. Hood Latch Actuator Bolt (1) » Remove [2x]

14. Hood Secondary Latch Release Handle (2) » Remove



15. Intake Air Baffle Retainer (1) » Remove [9x]

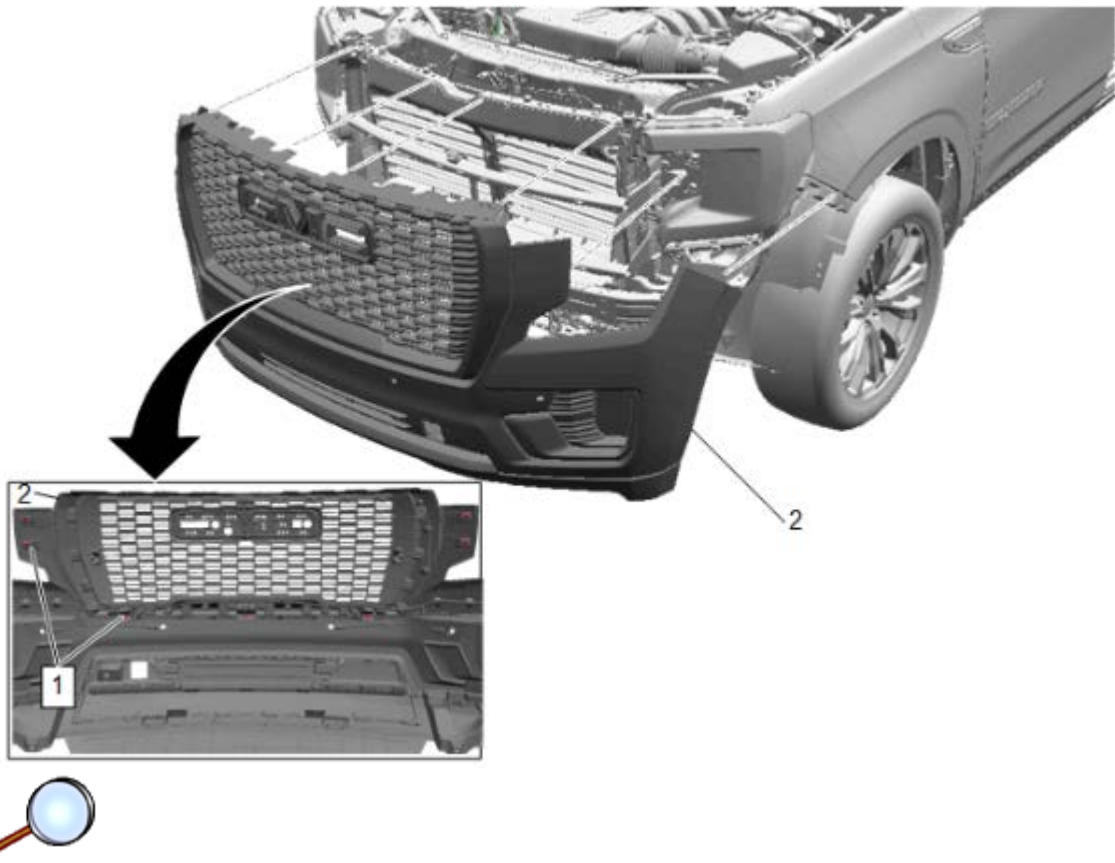
16. Intake Air Splash Shield (2) » Remove



17. Front Grille Bolt (1) » Remove [6x]

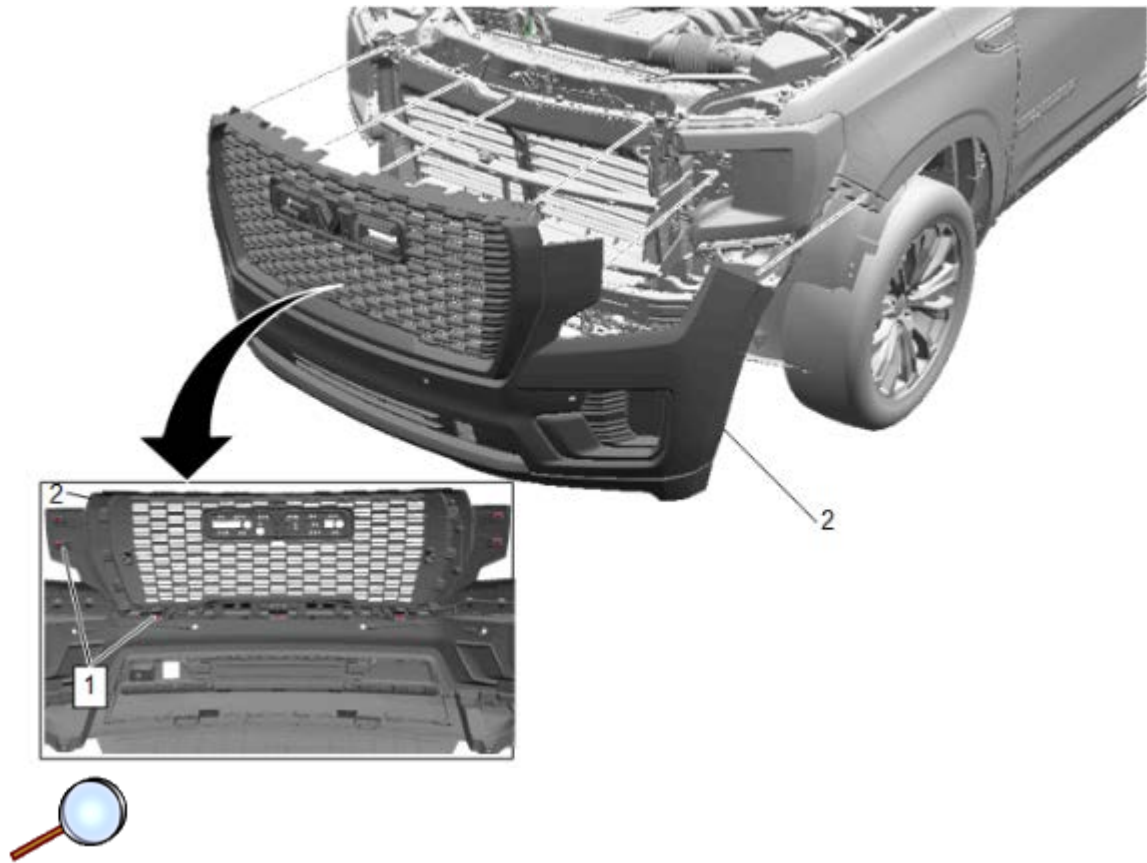


18. Apply a double layer of masking tape to the left and right headlamp to prevent damaging / scratching the headlamp lens.
19. On the left and right side of the front bumper fascia (1) carefully push a small nylon wedge between the front bumper fascia and the front bumper fascia guide. Insert a suitable flat-bladed plastic trim tool, into the fascia slot and depress the snaps one at a time and pull on the fascia at the same time to gradually remove front bumper fascia
20. Starting at the inside of the headlamp, release the front bumper fascia (1) from the headlamp.



21. { If equipped } Disconnect the electrical connectors.
22. Release the 7 grille clips (1).
23. With the aid of an assistant, remove the fascia. (2)

Installation Procedure



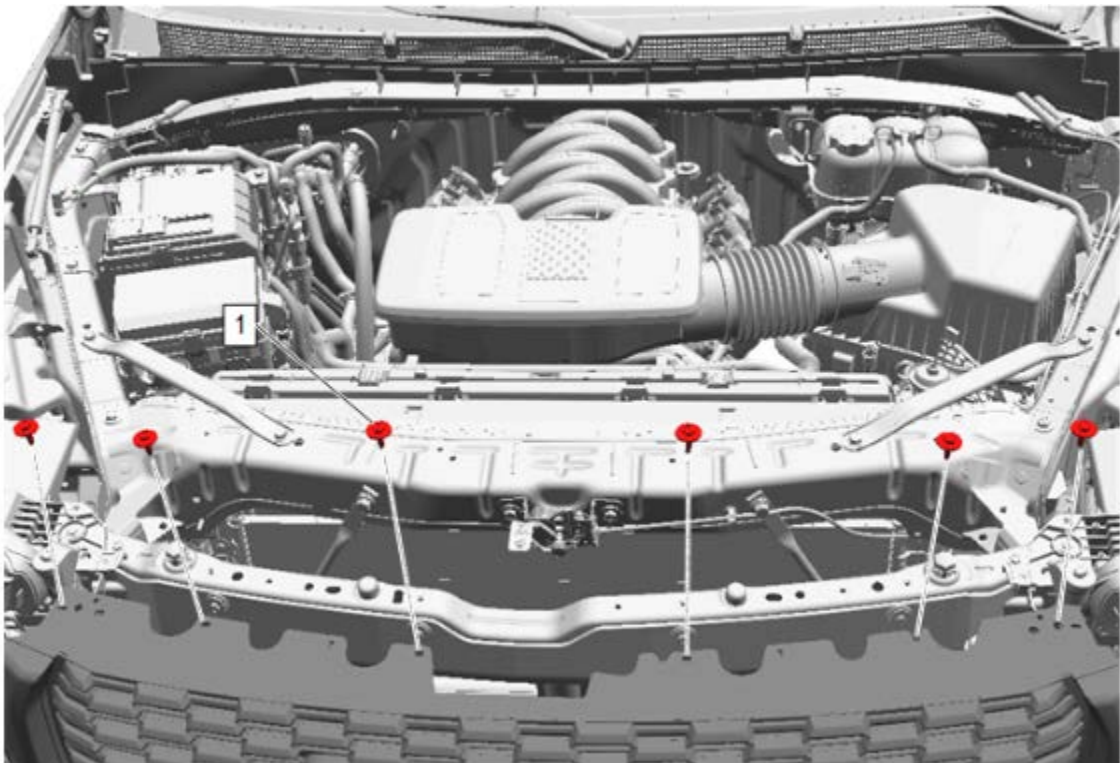
1. With the aid of an assistant, install the fascia. (2)
2. Install the grille 7 clips (1).

Caution: When installing the wiring harness connector of the front bumper fascia, verify that the wiring harness connector is properly installed. Failure to properly install the wiring harness connector, may result in improper performance, component damage, system malfunction, and damage to the wiring and or connectors.

3. { If equipped } Connect the electrical connectors. [Inline Harness Connector End Views](#)

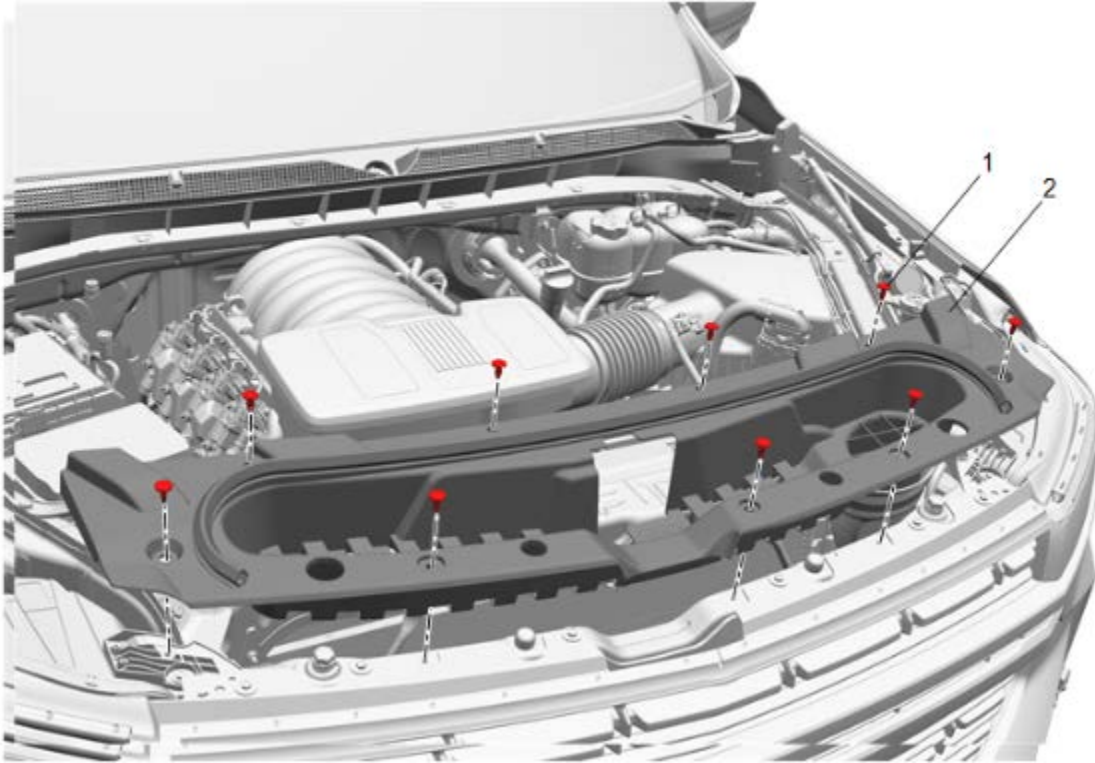


4. Install the front bumper fascia (1) to the left and right side front bumper fascia guides and the front headlamps.
5. Remove the tape from both headlamps.

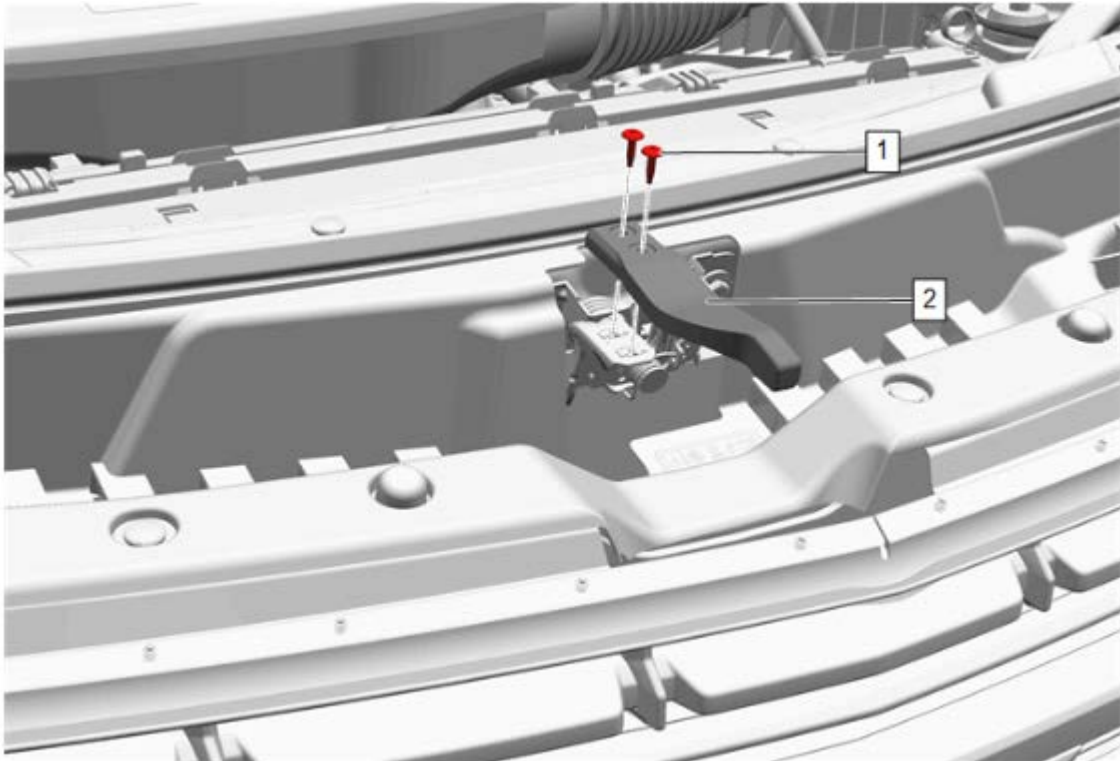


Caution: Refer to [Fastener Caution](#).

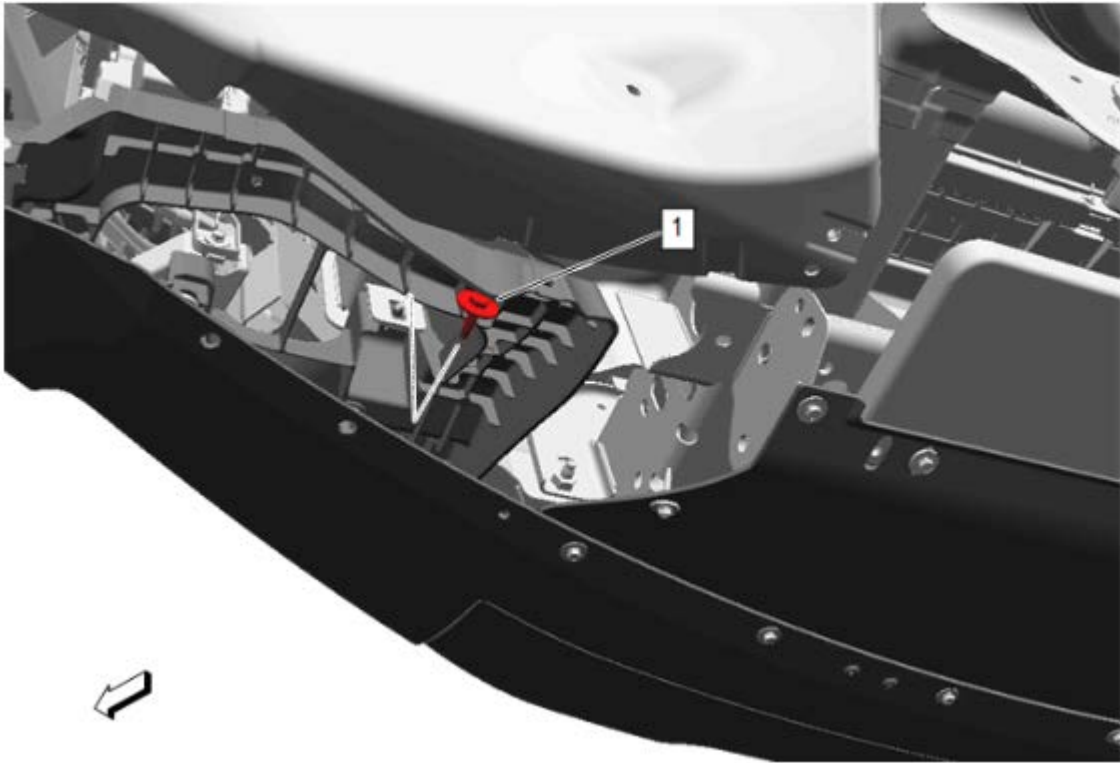
6. Front Grille Bolt (1) » Install and tighten [6x] — [Fastener Specifications](#)



7. Intake Air Splash Shield (2) » Install
8. Intake Air Baffle Retainer (1) » Install [9x]

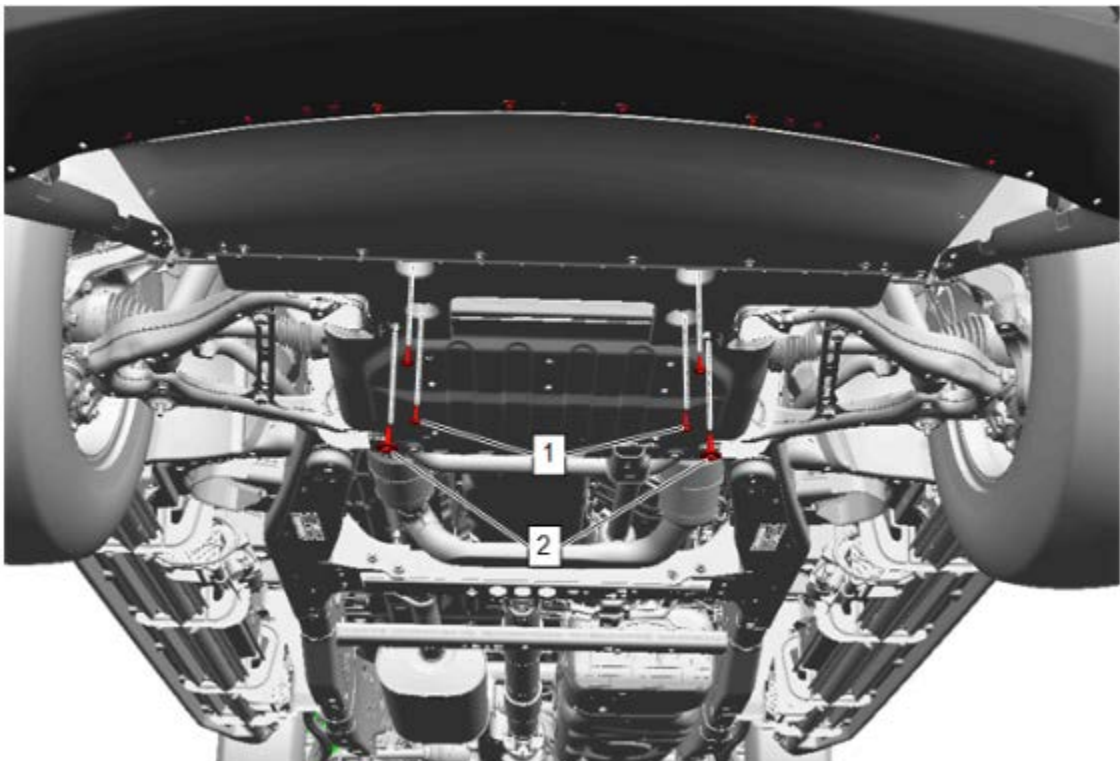


9. Hood Secondary Latch Release Handle (2) » Install
10. Hood Latch Actuator Bolt (1) » Install and tighten [2x] — [Fastener Specifications](#)
11. Raise the vehicle.

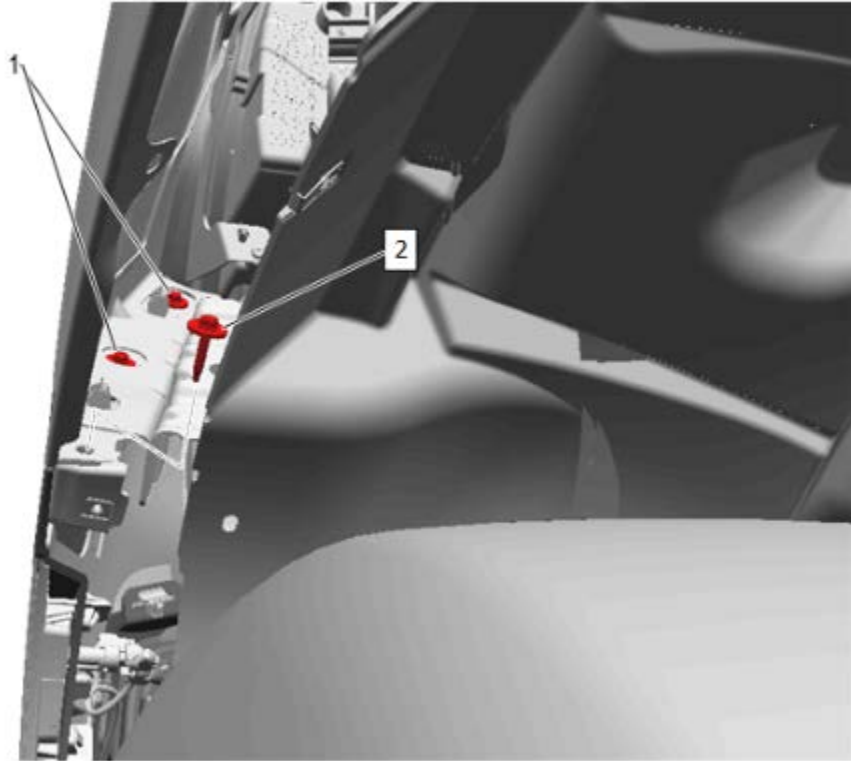


Note: Left side shown, right side similar.

12. Install and tighten the left and right side front bumper fascia support brace bolt (1). [Fastener Specifications](#)

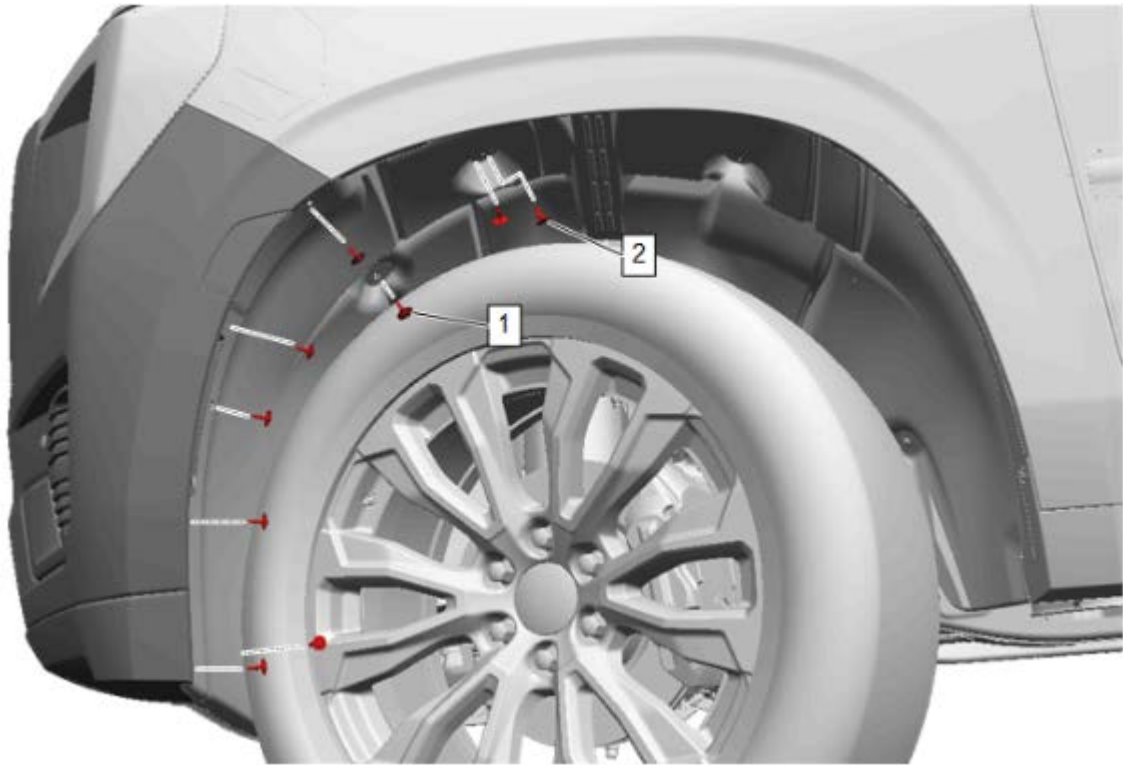


13. Front Bumper Fascia Extension Bolt (1) » Install and tighten [4x] — [Fastener Specifications](#)
14. Front Bumper Fascia Extension Bolt @ Skid Shield (2) » Install and tighten [2x] — [Fastener Specifications](#)



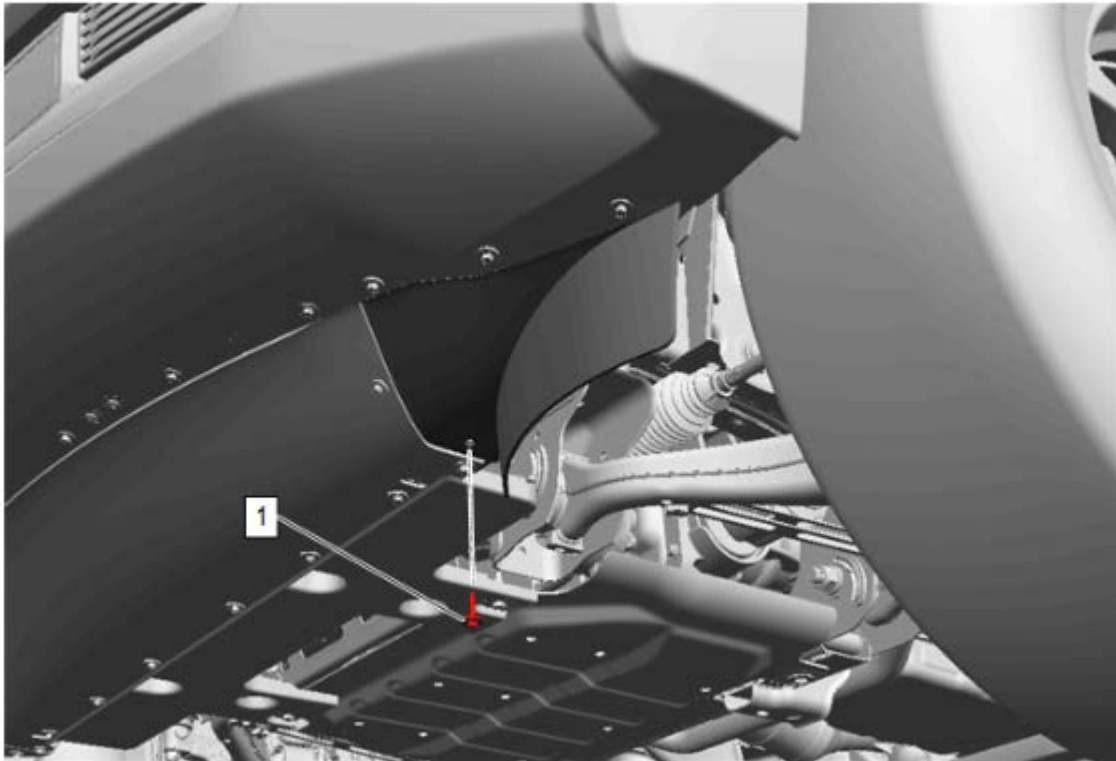
Note: Left side shown, right side similar.

15. Tighten the 4 left and right side front bumper fascia guide bolts (1). [Fastener Specifications](#)
16. Install and tighten the left and right side front bumper fascia bolt (2). [Fastener Specifications](#)
17. Connect the left and right side front side marker lamp connector.
18. Install the left and right side front wheelhouse liner.



Note: Left side shown, right side similar.

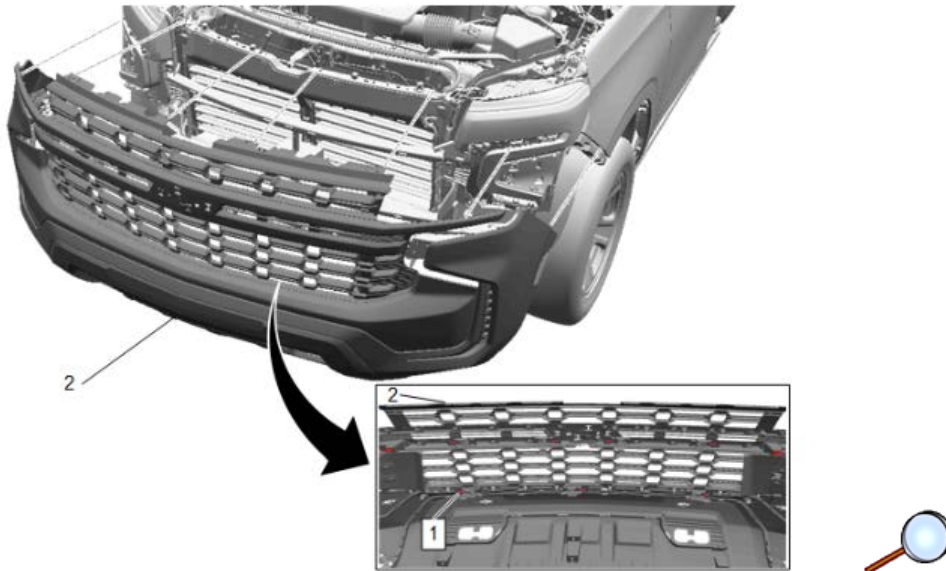
19. Install and tighten the 16 left and right side front wheelhouse liner bolts (1). [Fastener Specifications](#)
20. Install the left and right side wheelhouse retainer (2).



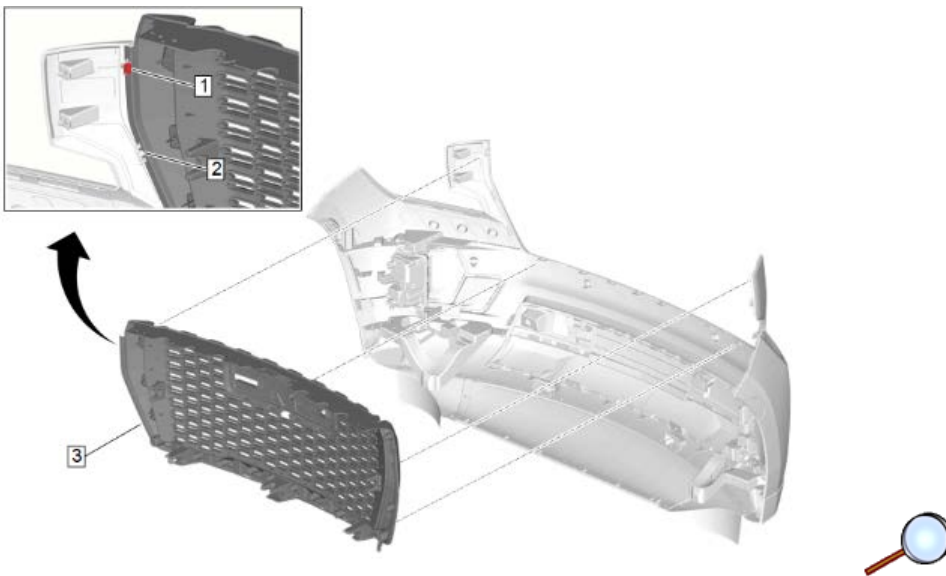
21. Install and tighten the 2 left and right side front tire air deflector bolts (1). [Fastener Specifications](#)
22. Lower the vehicle.

Front Grille Replacement

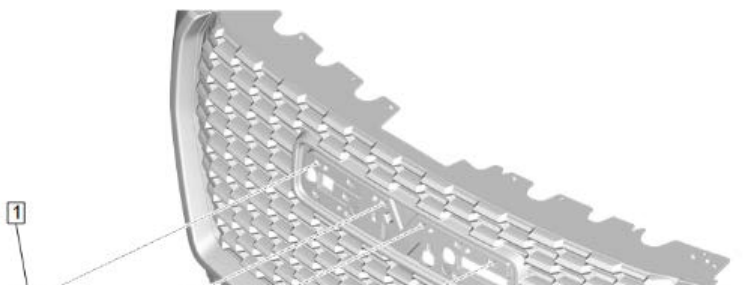
Removal Procedure



1. Front Bumper Fascia (2) » Remove — [Front Bumper Fascia Removal and Installation](#)



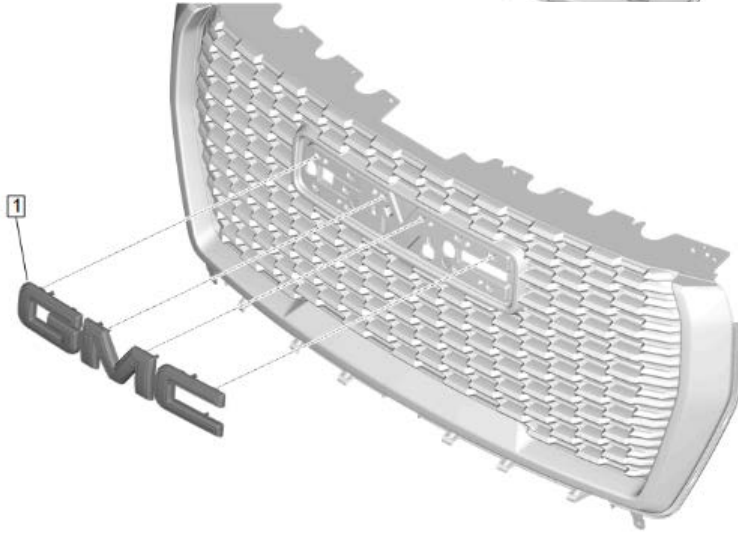
2. Remove the wiring harness retainers.
3. Front Grille Retainer (1) » Remove [2x]
4. Disengage the front bumper fascia retainers (2).
5. Front Grille (3) » Remove



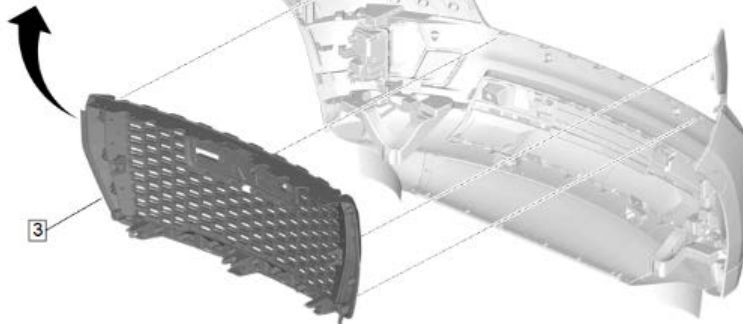
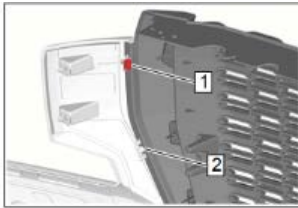
6. Release the retaining tabs.

7. Front Grille Emblem/Nameplate (1) » Remove

Installation Procedure



1. Front Grille Emblem/Nameplate (1) » Install

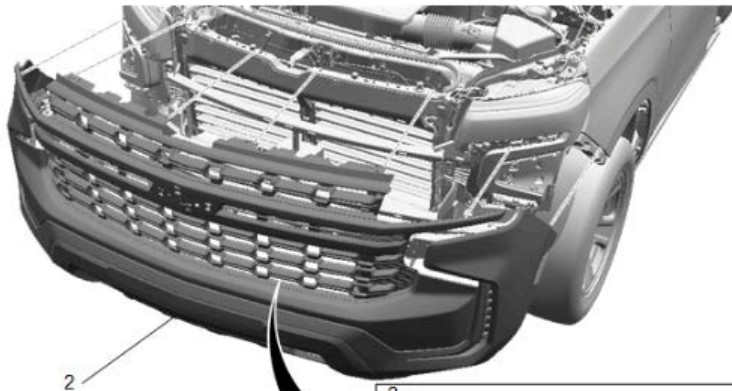


2. Front Grille (3) » Install

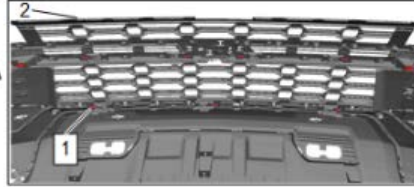
3. Engage the front bumper fascia retainers (2).

4. Front Grille Retainer (1) » Install [2x]

5. Install the wiring harness retainers.



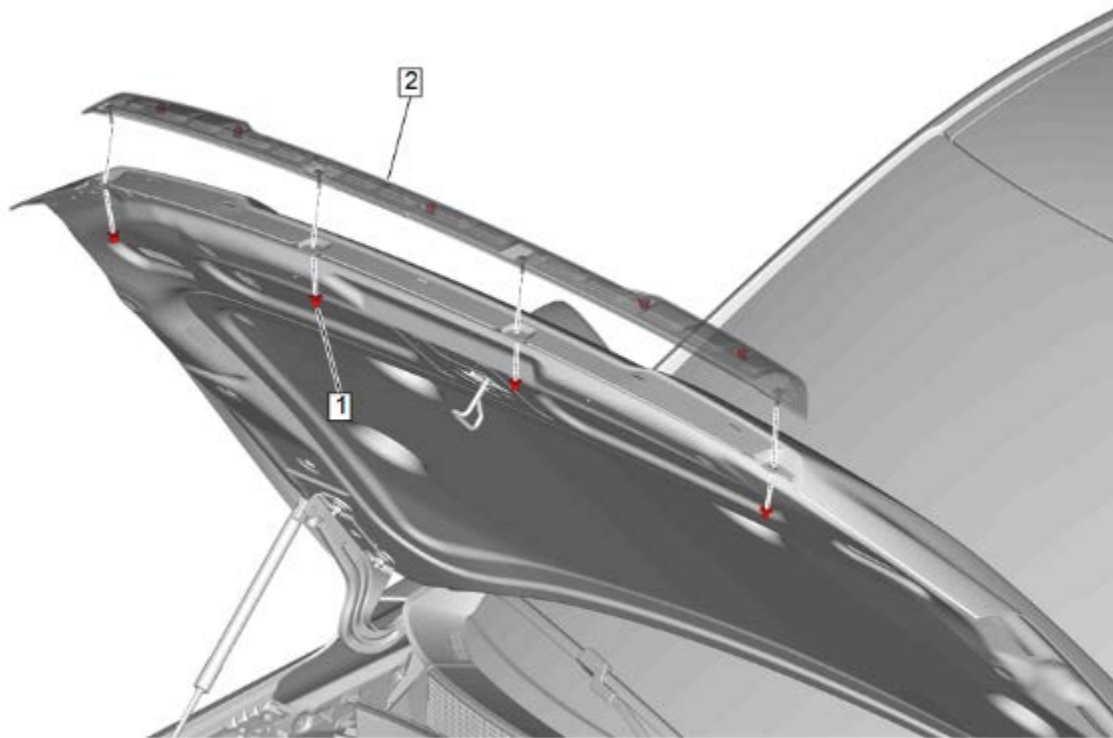
2



6. Front Bumper Fascia (2) » Install — [Front Bumper Fascia Removal and Installation](#)

Hood Front Molding Replacement

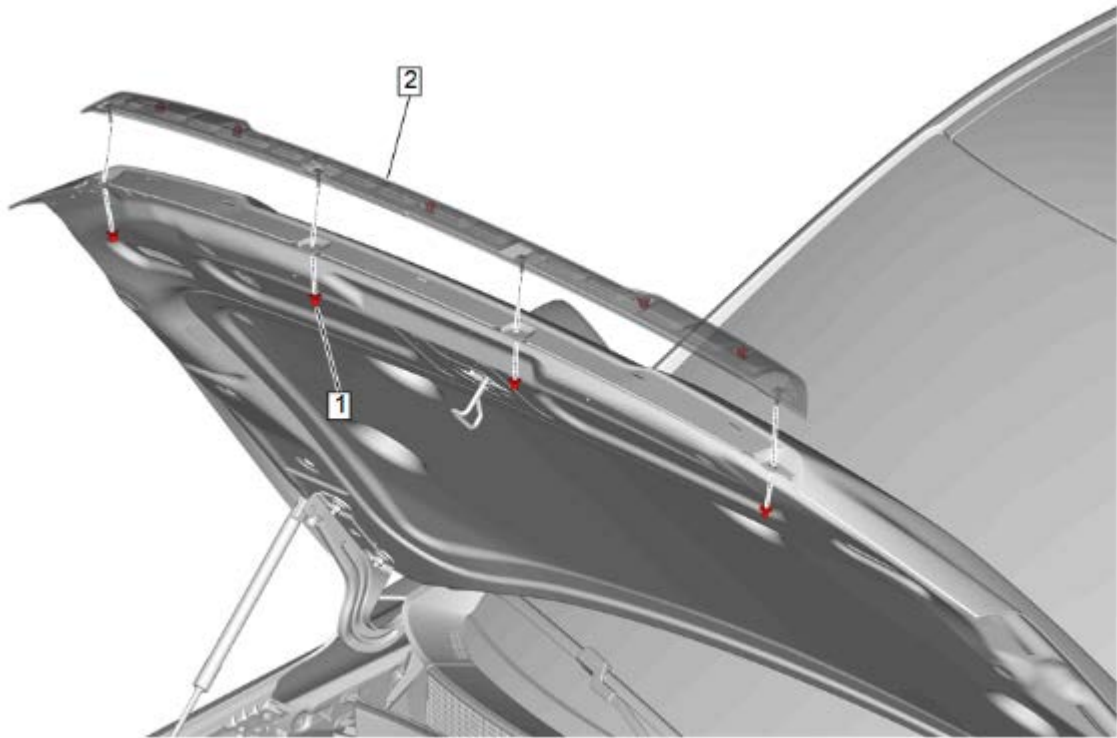
[Removal Procedure](#)



Note: Quantity of fasteners may vary based on option content.

1. Hood Front Molding Nut (1) » Remove [4x]
2. Using a flat-bladed plastic trim tool, release the retaining clips.
3. Hood Front Molding (2) » Remove

[Installation Procedure](#)



1. Hood Front Molding (2) » Install

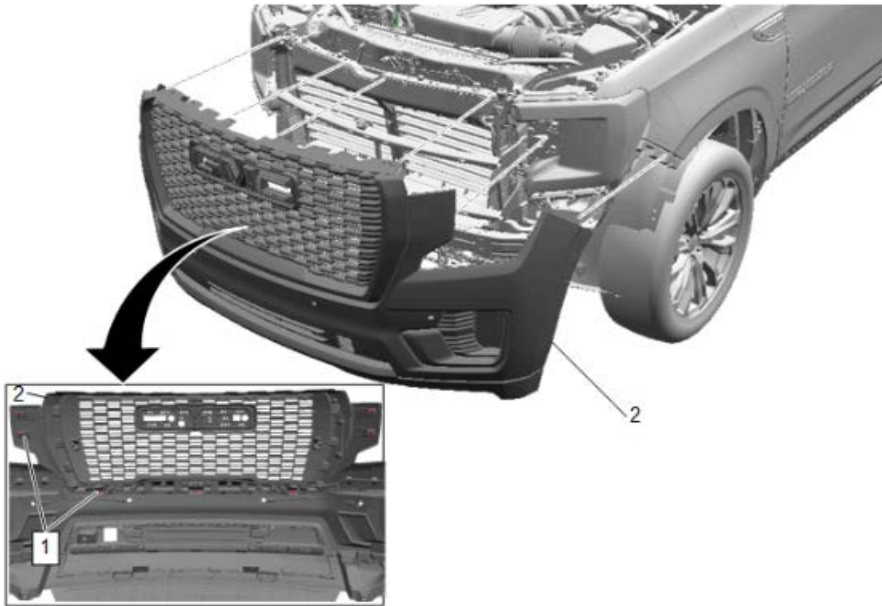
Caution: Refer to [Fastener Caution](#).

Note: Quantity of fasteners may vary based on option content.

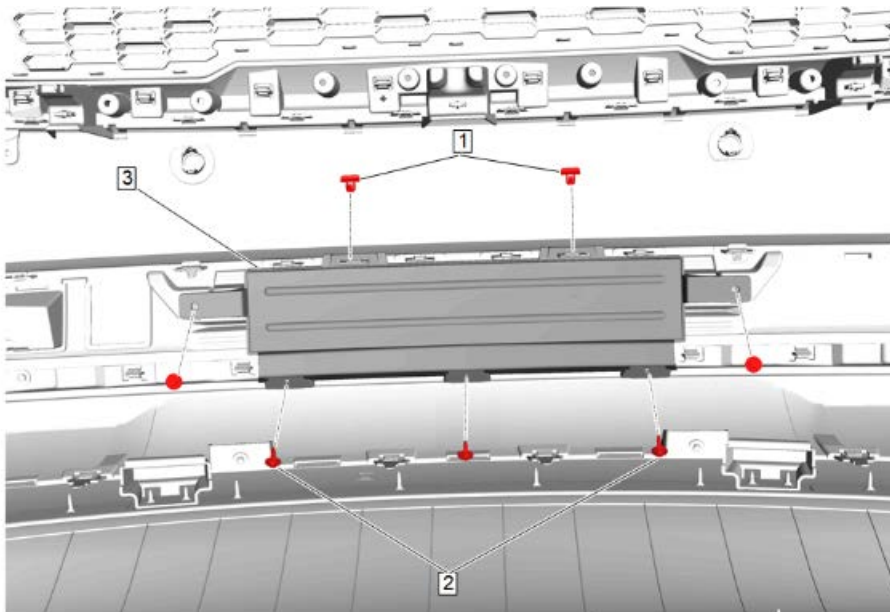
2. Hood Front Molding Nut (1) » Install and tighten [4x] — [Fastener Specifications](#)

Front Bumper Fascia Skid Plate Replacement (without AT4)

Removal Procedure



1. Front Bumper Fascia (2) » Remove — [Front Bumper Fascia Removal and Installation](#)

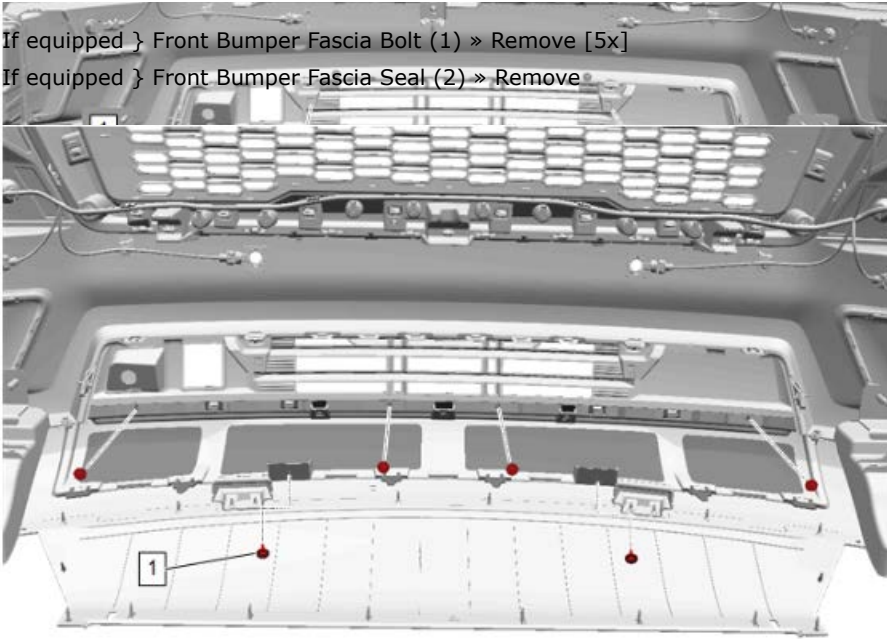


2. Front Bumper Filler Retainer (1) » Remove [2x]
3. Front Bumper Fascia Lower Bracket Bolt (2) » Remove [5x]
4. Front Grille Filler (3) » Remove

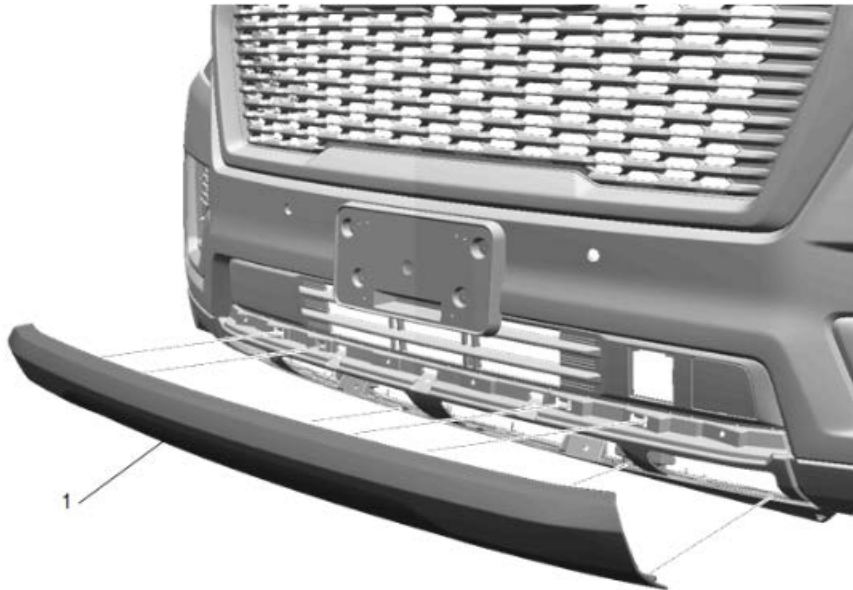


5. { If equipped } Front Bumper Fascia Bolt (1) » Remove [5x]

6. { If equipped } Front Bumper Fascia Seal (2) » Remove

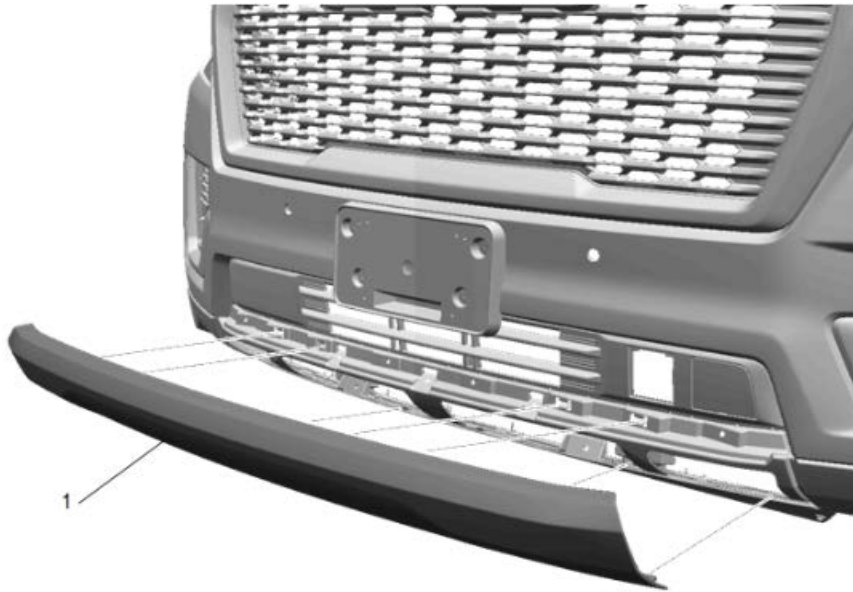


7. Front Bumper Fascia Skid Plate Bolt (1) » Remove [6x]

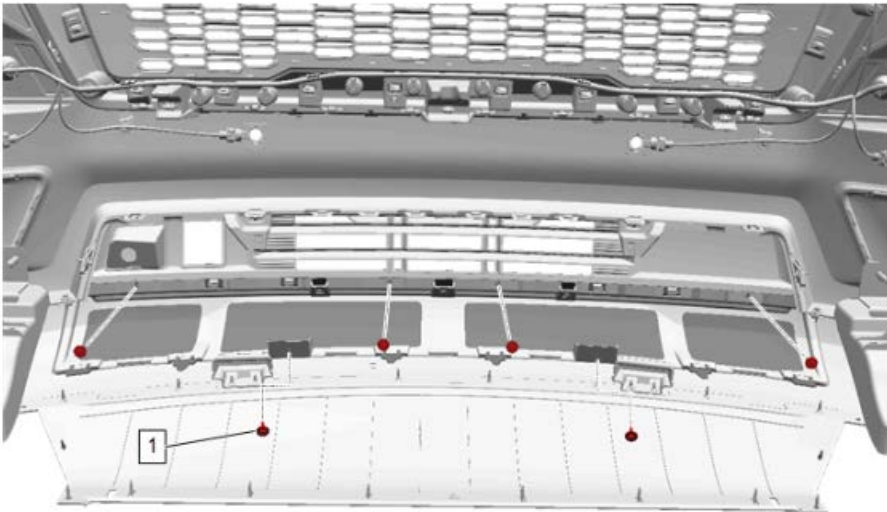


8. Release the retaining tabs on the front bumper fascia skid plate (1) and remove.

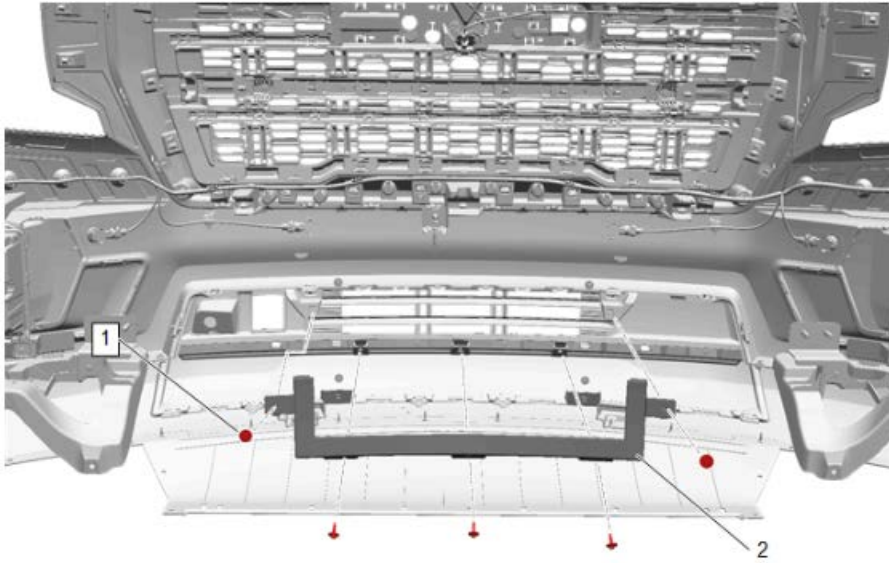
[Installation Procedure](#)



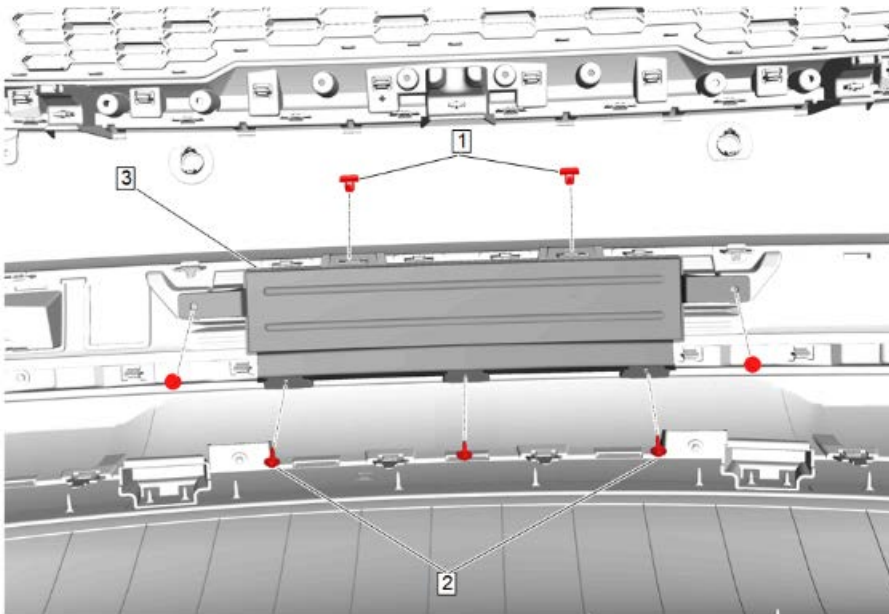
1. Install the front bumper fascia skid plate (1), and insure that all retaining tabs are secure.



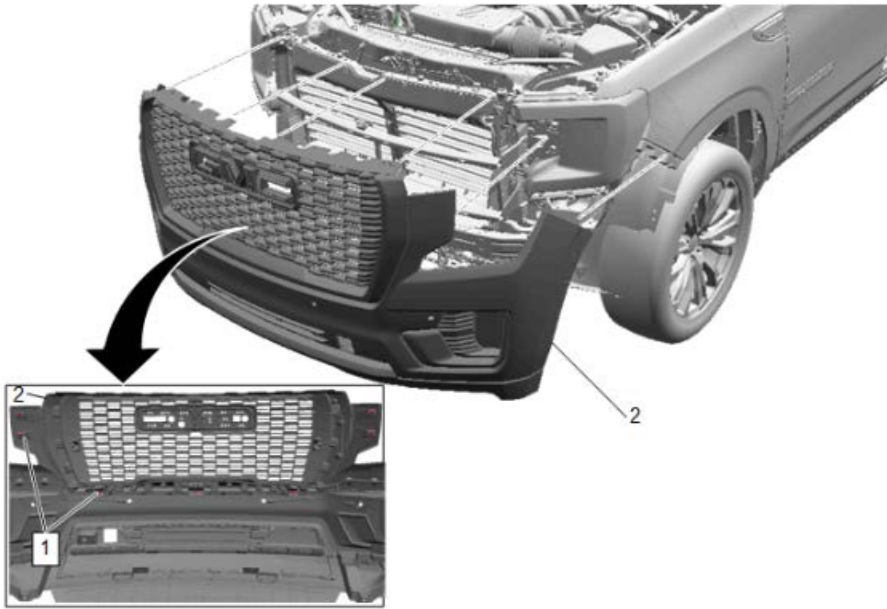
- Caution:** Refer to [Fastener Caution](#).
2. Front Bumper Fascia Skid Plate Bolt (1) » Install and tighten [6x] — [Fastener Specifications](#)



3. { If equipped } Front Bumper Fascia Seal (2) » Install
4. { If equipped } Front Bumper Fascia Bolt (1) » Install and tighten [5x] — [Fastener Specifications](#)



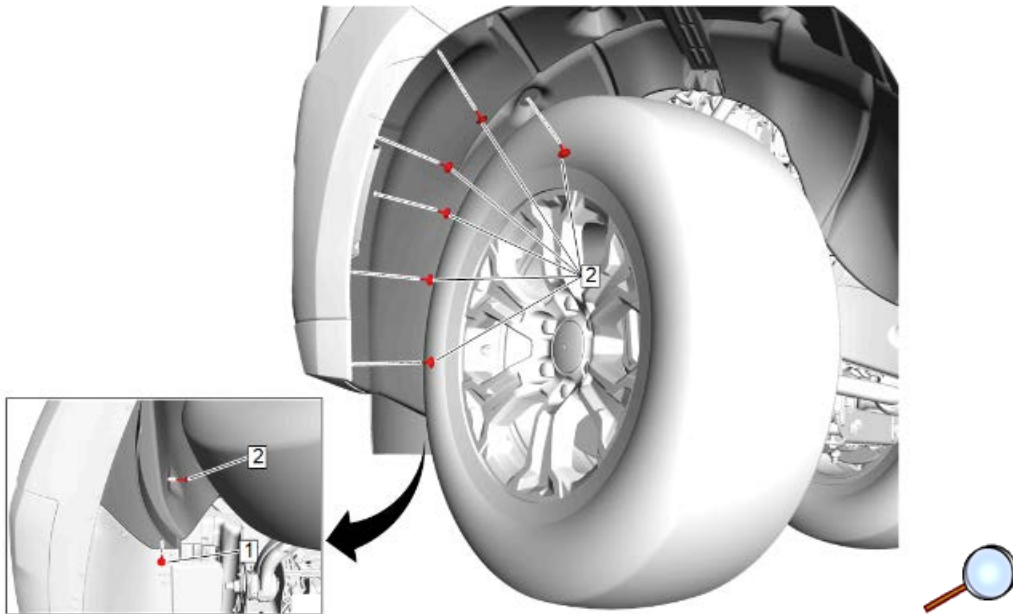
5. Front Grille Filler (3) » Install
6. Front Bumper Fascia Lower Bracket Bolt (2) » Install and tighten [5x] — [Fastener Specifications](#)
7. Front Bumper Filler Retainer (1) » Install [2x]



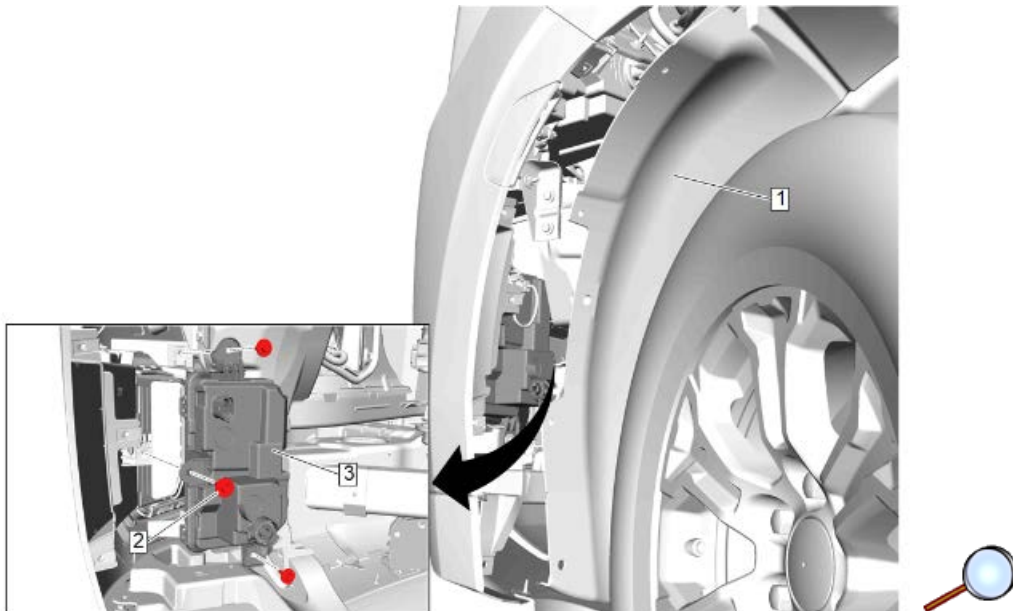
8. Front Bumper Fascia (2) » Install — [Front Bumper Fascia Removal and Installation](#)

Front Fog Lamp Bezel Insert Replacement

Removal Procedure



1. { If equipped } Front Tire Front Air Deflector Bolt (1) » Remove
Note: Quantity of fasteners may vary based on option content.
2. Front Wheelhouse Liner Bolt (2) » Remove [7x]

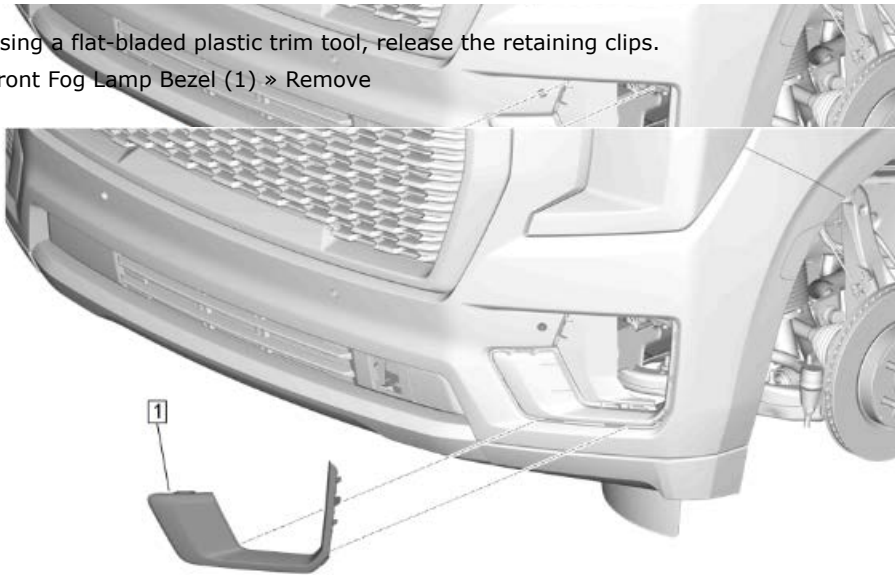


3. Front Wheelhouse Liner (1) » Reposition
4. Disconnect the electrical connector.
5. Front Fog Lamp Bolt (2) » Remove [3x]
6. Front Fog Lamp (3) » Remove



7. Using a flat-bladed plastic trim tool, release the retaining clips.

8. Front Fog Lamp Bezel (1) » Remove



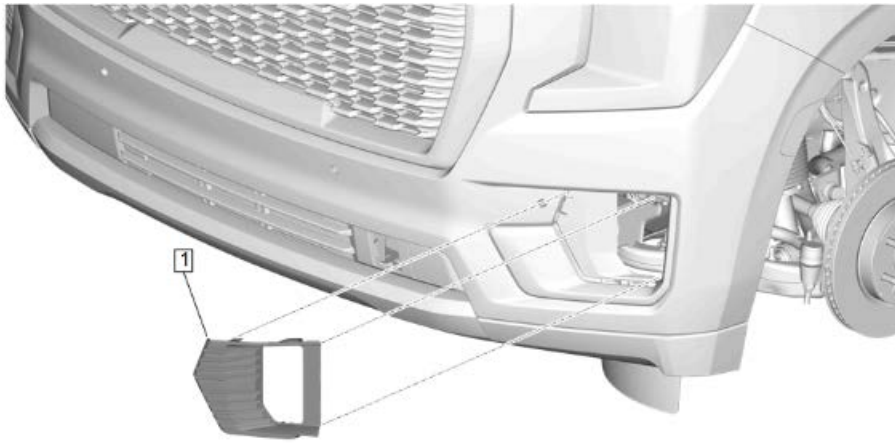
9. Using a flat-bladed plastic trim tool, release the retaining clips.

10. Front Fog Lamp Bezel Insert (1) » Remove

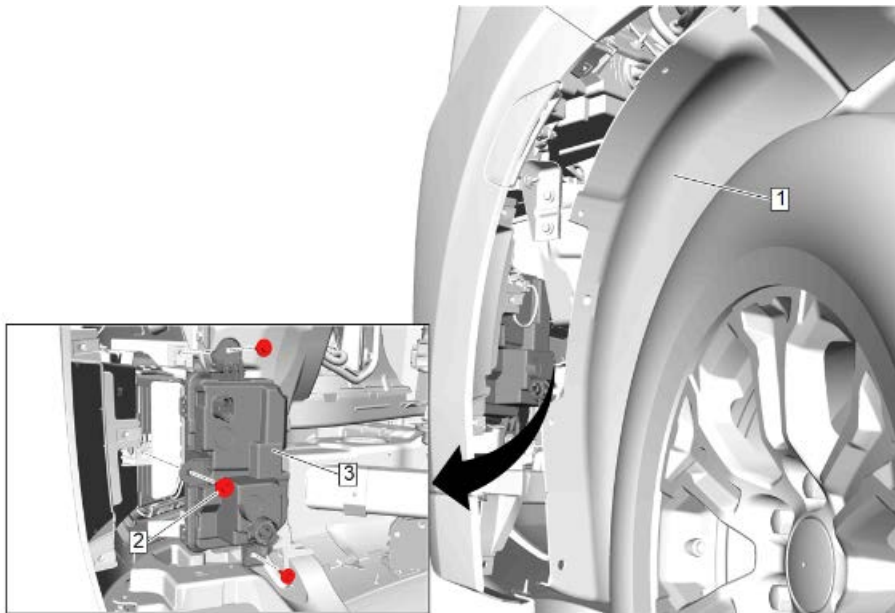
Installation Procedure



1. Front Fog Lamp Bezel Insert (1) » Install



2. Front Fog Lamp Bezel (1) » Install



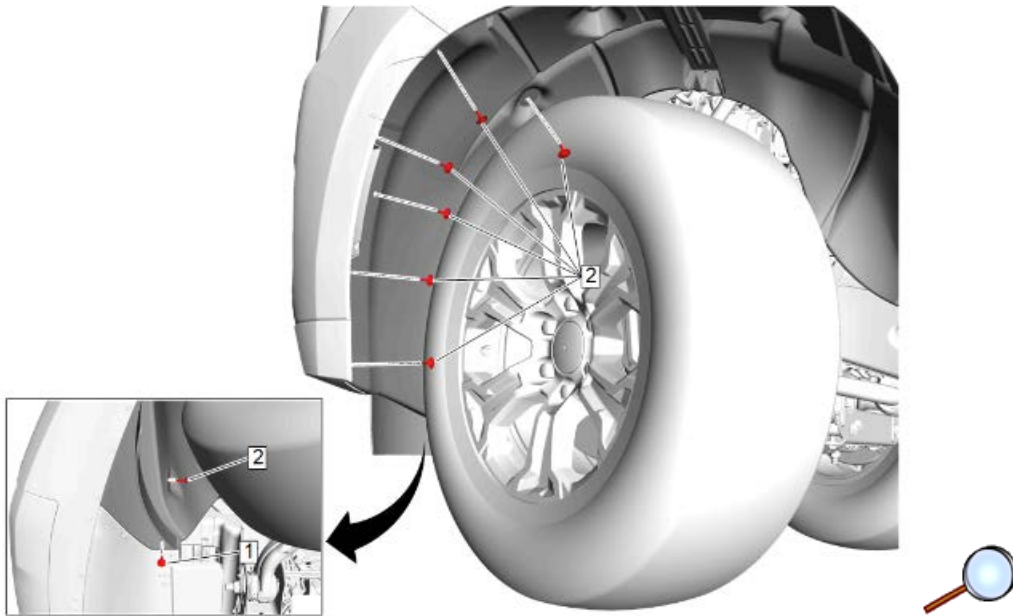
3. Front Fog Lamp (3) » Install

Caution: Refer to [Fastener Caution](#).

4. Front Fog Lamp Bolt (2) » Install [3x] — [Fastener Specifications](#)

5. Connect the electrical connector.

6. Front Wheelhouse Liner (1) » Install



Note: Quantity of fasteners may vary based on option content.

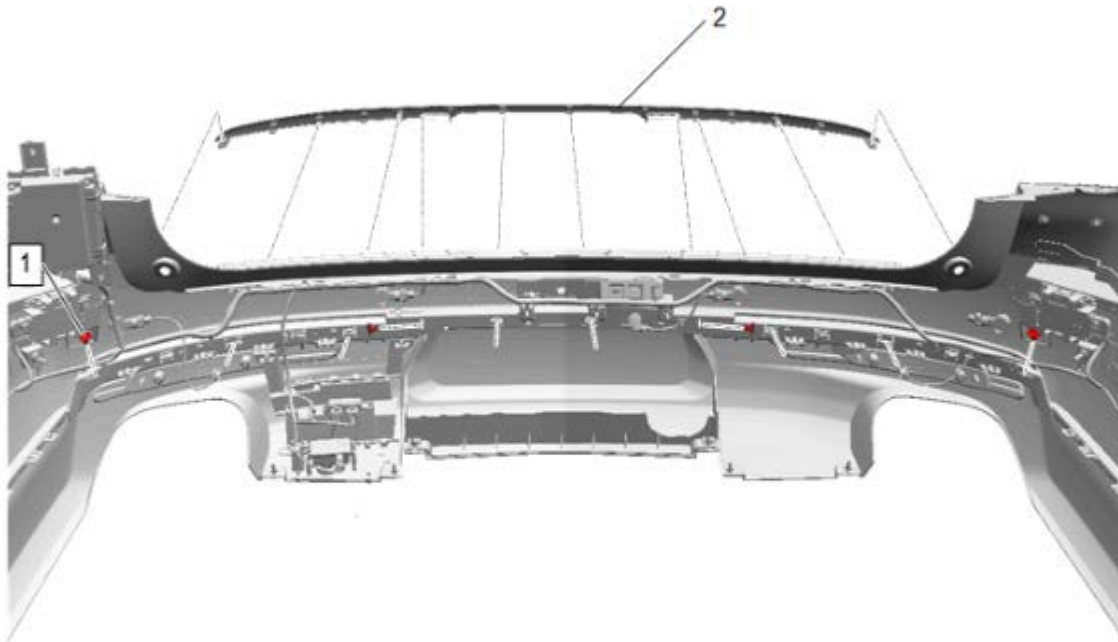
7. Front Wheelhouse Liner Bolt (2) » Install and tighten [7x] — [Fastener Specifications](#)
8. { If equipped } Front Tire Front Air Deflector Bolt (1) » Install and tighten — [Fastener Specifications](#)
9. After installation, aim the fog lamps. [Front Fog Lamp Aiming](#)

Rear Bumper Fascia Molding Replacement

[Removal Procedure](#)

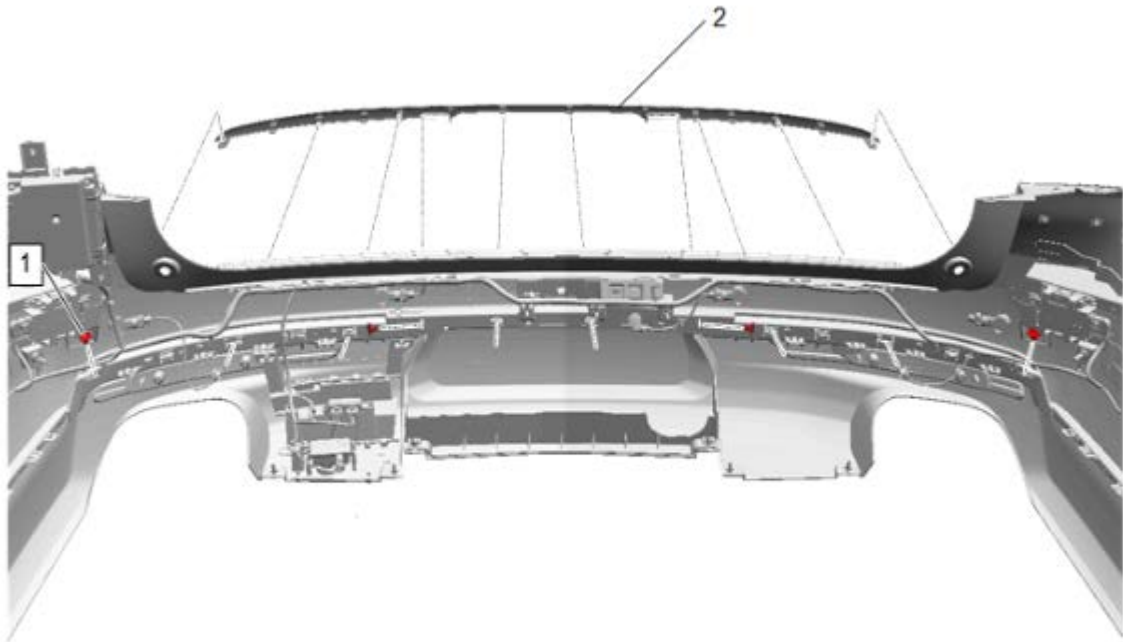


1. Rear Bumper Fascia (1) » Remove — [Rear Bumper Fascia Removal and Installation](#)



2. Rear Bumper Fascia Molding Retainer (1) » Remove [4x]
3. Using the appropriate tool, release the rear bumper fascia lower molding (2).

Installation Procedure



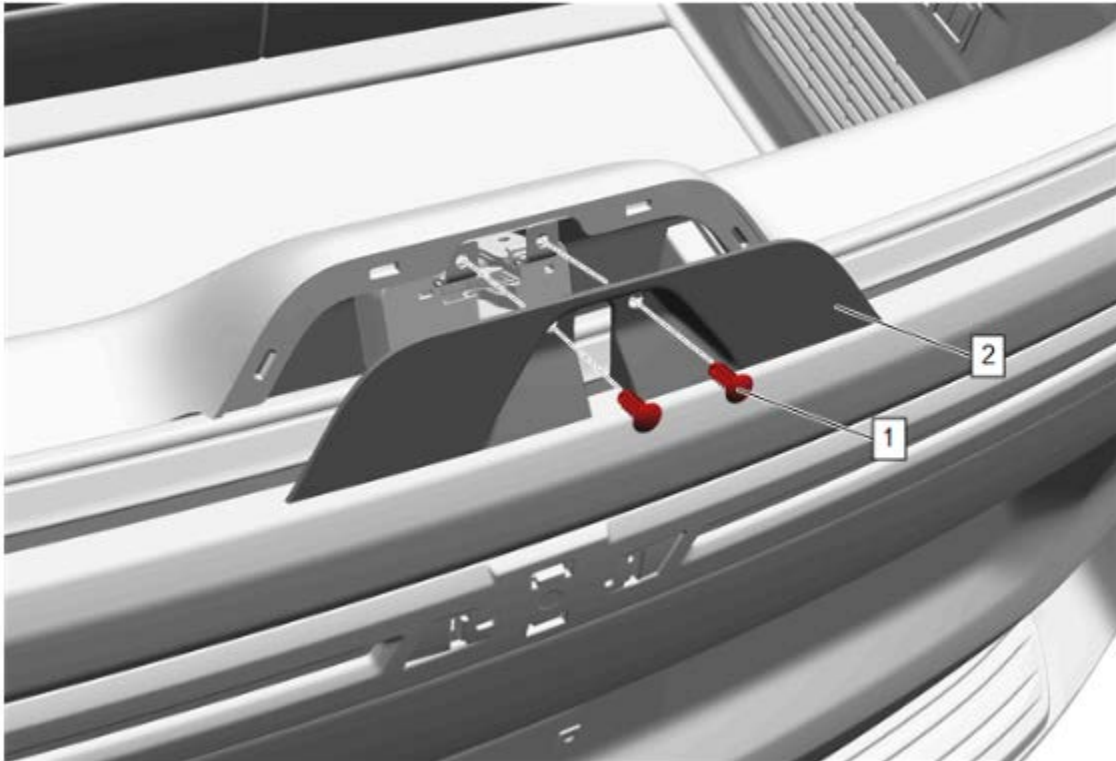
1. Rear Bumper Fascia Molding (2) » Install
2. Rear Bumper Fascia Molding Retainer (1) » Install [4x]



3. Rear Bumper Fascia (1) » Install — [Rear Bumper Fascia Removal and Installation](#)

Rear Closure Center Applique Replacement

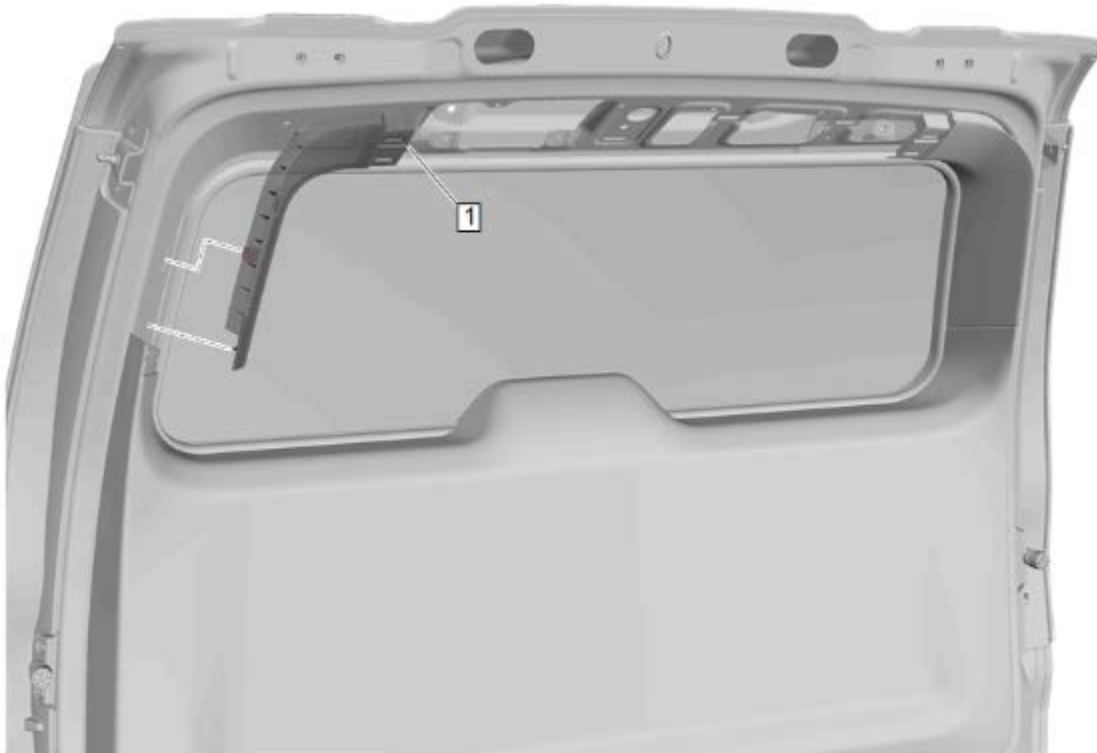
[Removal Procedure](#)



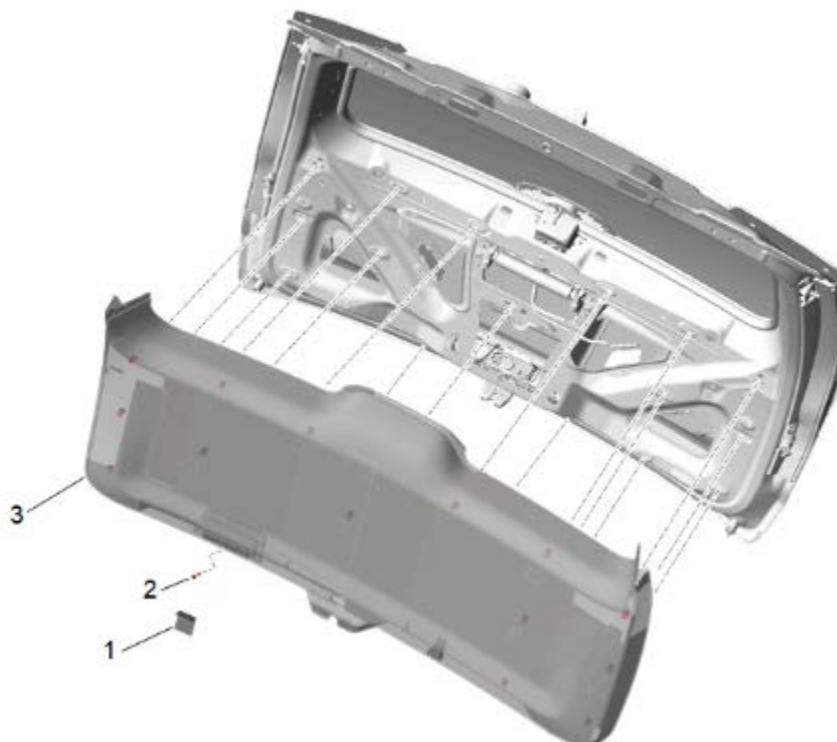
1. Open the liftgate window.
2. Use a small flat-bladed tool to remove the 2 panel locators (1).
3. Liftgate Lower Trim Finish Panel Access Hole Cover(2) » Remove



4. Use the appropriate trim tool to release the liftgate upper center trim finish panel (1) from the liftgate inner panel.
5. Liftgate Upper Center Trim Finish Panel (1) » Remove



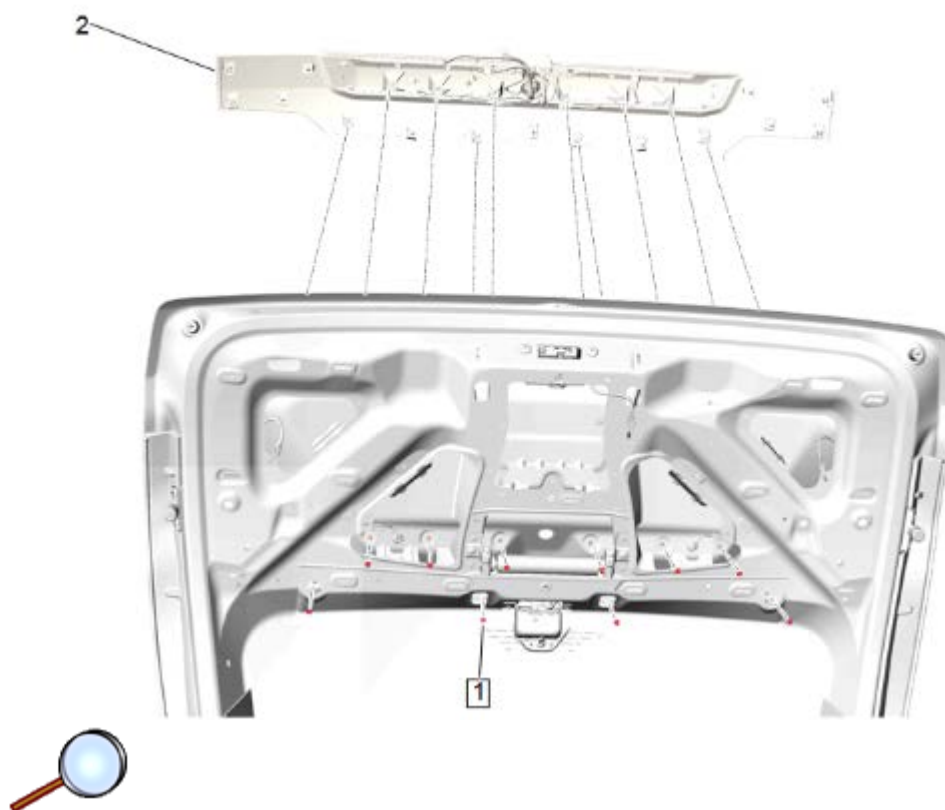
6. Use a flat-bladed trim tool to aid in the removal of the liftgate upper side trim finish panels (1) from the liftgate.
7. Liftgate Upper Side Trim Finish Panel (1) » Remove [2x]



8. Use a flat-bladed trim tool to aid in the removal of the rear compartment lid inner panel trim hole plug (1).
9. Liftgate Lower Trim Finish Panel Bolt (2) » Remove
10. Disconnect the electrical connector.
11. Liftgate Lower Trim Finish Panel (3) » Remove



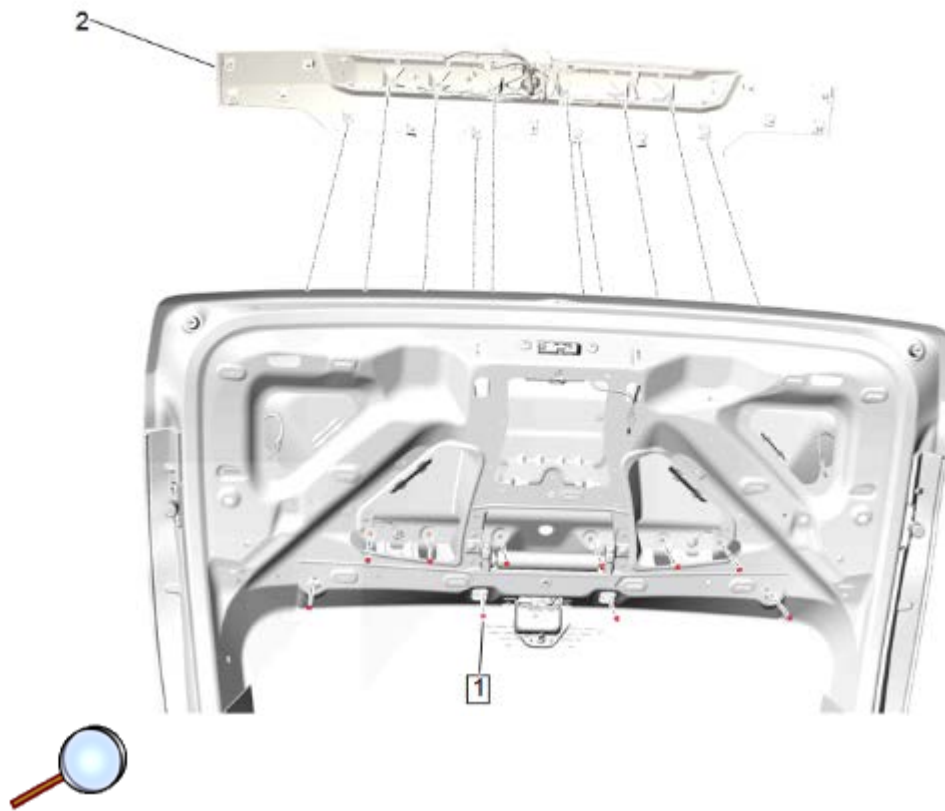
12. Disconnect the electrical connector.
13. Liftgate Side Sensor » Remove [2x]
14. Rear Closure Center Applique Bolt (1) » Remove [4x]



Note: Observe the mounting and location of the grommet to ensure proper reinstallation.

15. Disconnect all electrical connectors.
16. Disconnect the washer hose. { If equipped }
17. Rear Closure Center Applique Nut (1) » Remove [10x]
18. Rear Closure Center Applique (2) » Remove
19. Transfer components as necessary.

Installation Procedure



1. Rear Closure Center Applique (2) » Install

Caution: Refer to [Fastener Caution](#).

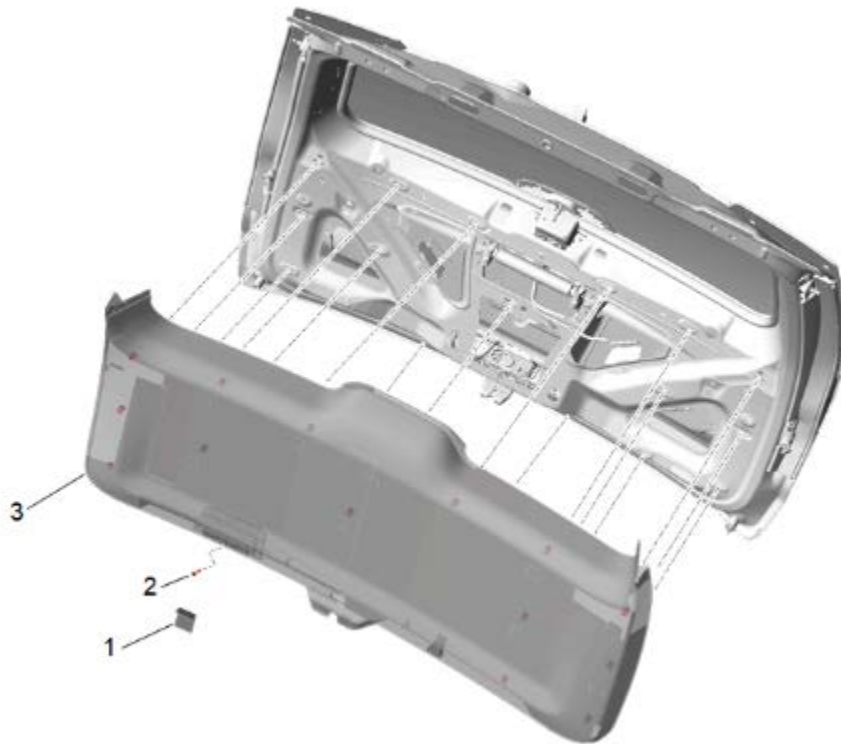
2. Rear Closure Center Applique Nut (1) » Install and tighten [10x] — [Fastener Specifications](#)

3. Connect the washer hose. { If equipped }

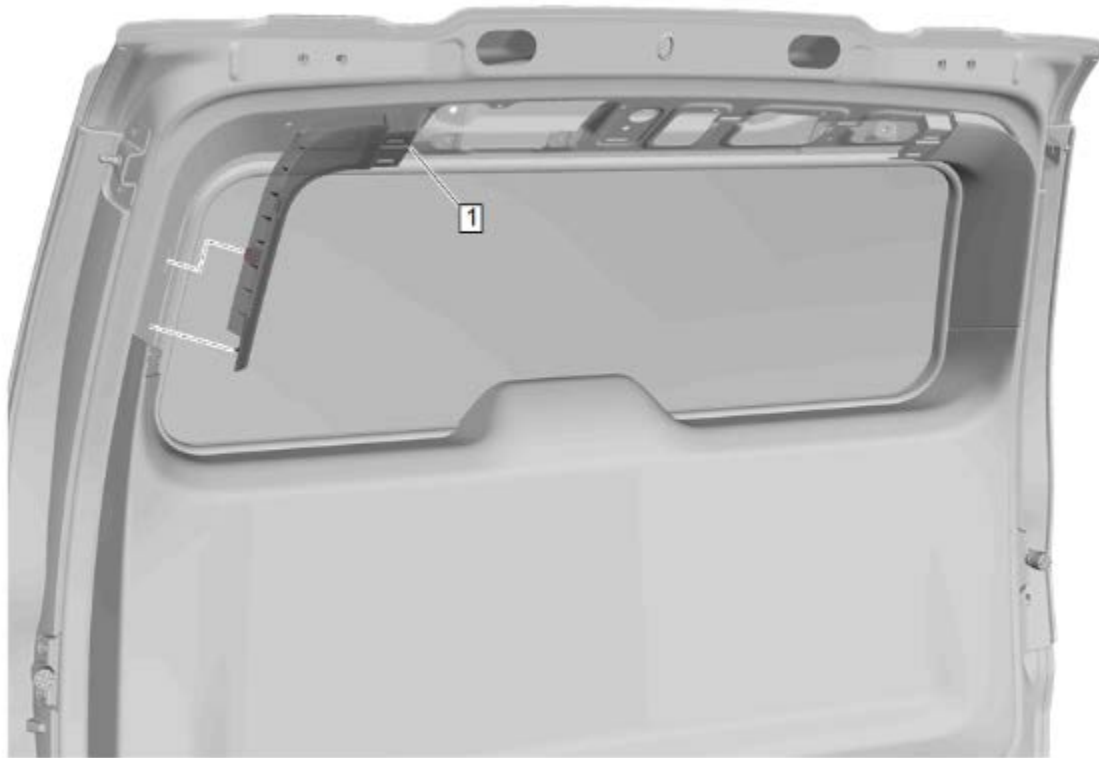
4. Connect all electrical connectors.



- 5. Rear Closure Center Applique Bolt (1) » Install and tighten [4x] — [Fastener Specifications](#)
- 6. Liftgate Side Sensor » Install [2x]



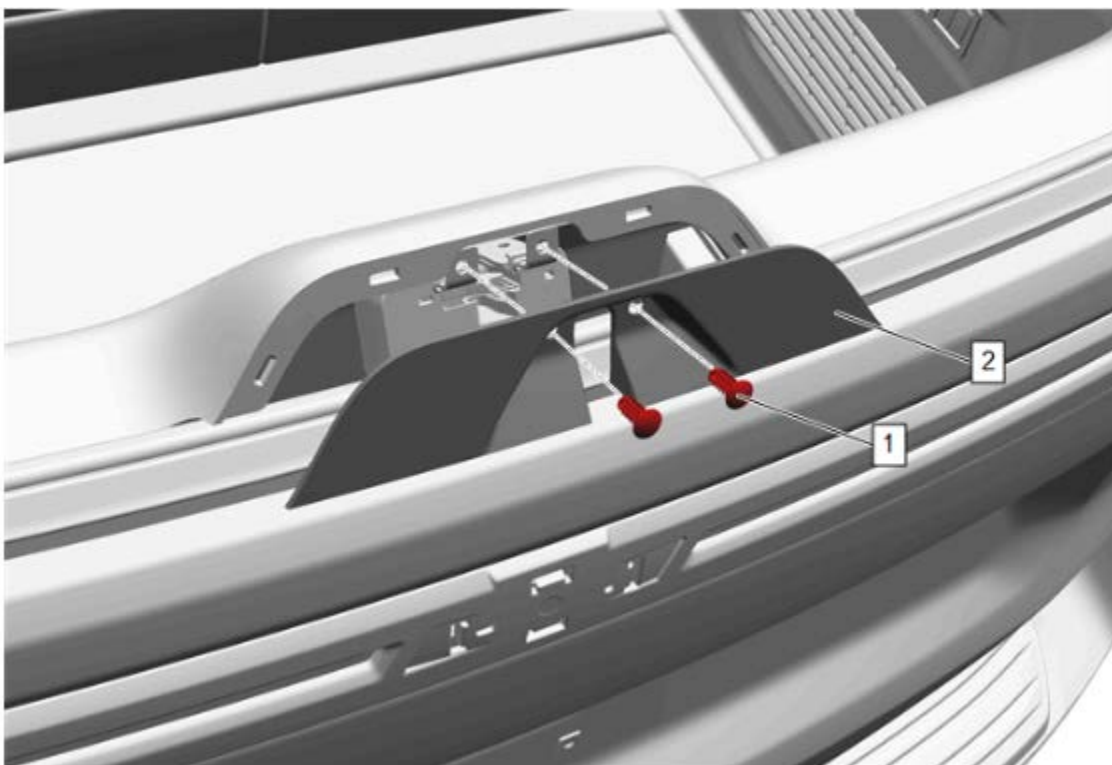
7. Connect the electrical connector.
8. Liftgate Lower Trim Finish Panel (3) » Install
9. Liftgate Lower Trim Finish Panel Bolt (2) » Install and tighten — [Fastener Specifications](#)
10. Rear Compartment Lid Inner Panel Trim Hole Plug(1) » Install



11. Liftgate Upper Side Trim Finish Panel (1) » Install [2x]



12. Liftgate Upper Center Trim Finish Panel (1) » Install



14. Liftgate Trim Finish Panel Locator(1) » Install [2x]

15. Close the liftgate window.