

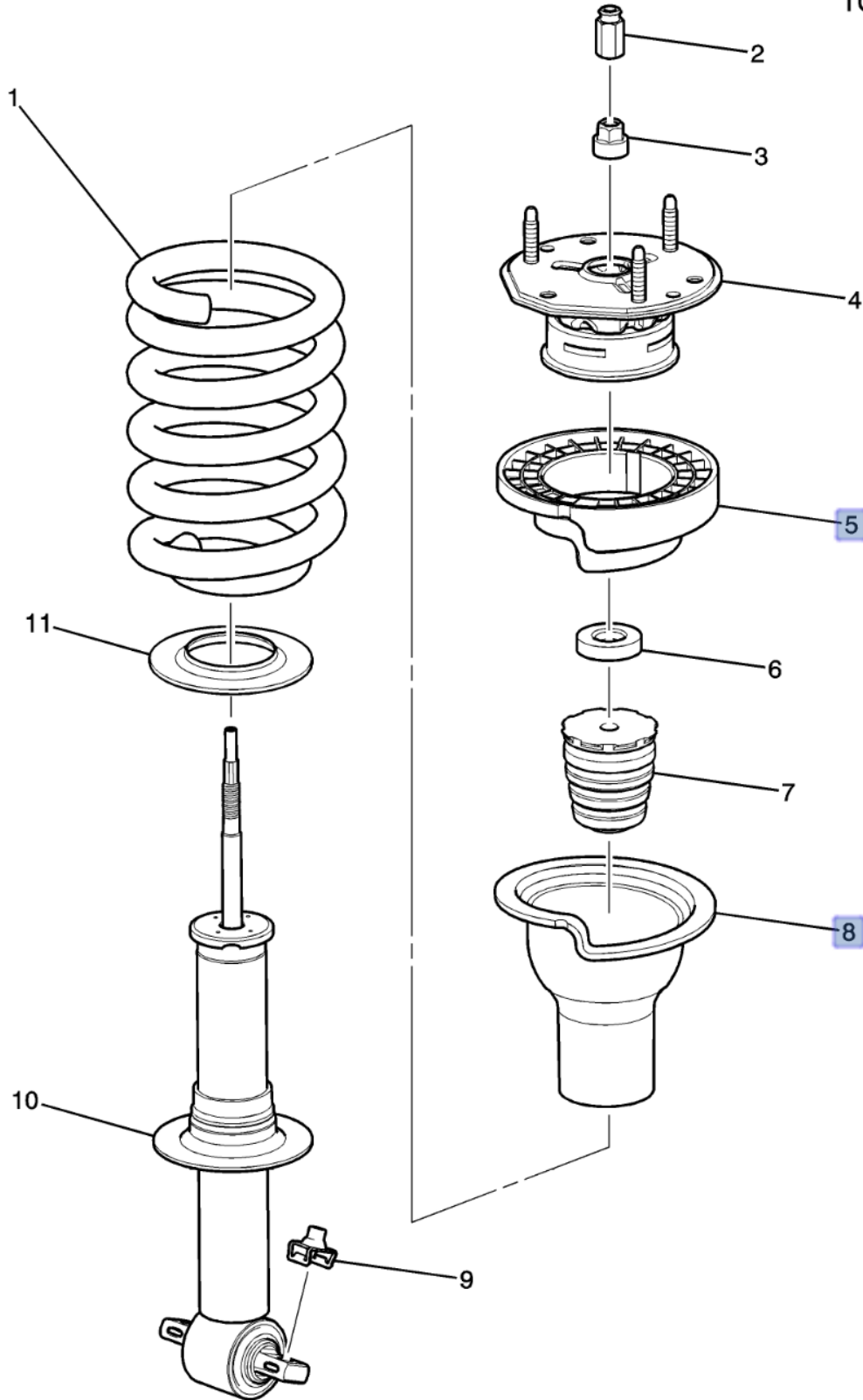


VIN: 1GKS2EEF0CR167640

L - Light Truck>2012>K - 57C - TK10706 - Tahoe/Yukon/Escalade - 06 Bodystyle (4WD/AWD)>07 - FRAMES-SPRINGS-SHOCKS-BUMPERS>(TC07-949) 2008-2013 CK1(06-36) ABSORBER/FRONT SHOCK & SPRING (REAL-TIME DAMPING Z55, MAGNERIDE Z95)

 =  Single Use Part

TC07-949 05/27/2011



Make: Light Truck

Year: 2012

Model: Tahoe/Yukon/Escalade - 06 Bodystyle (4WD/AWD)

VIN: 1GKS2EEF0CR167640

L - Light Truck>2012>K - 57C - TK10706 - Tahoe/Yukon/Escalade - 06 Bodystyle (4WD/AWD)>07 - FRAMES-SPRINGS-SHOCKS-BUMPERS>(TC07-949) 2008-2013 CK1(06-36) ABSORBER/FRONT SHOCK & SPRING (REAL-TIME DAMPING Z55, MAGNERIDE Z95)

Call	Part #	Group	H	Description	Usage	Year	Qty
5	84061243	07.420	L	SEAT, FRT SPR UPR (ACDelco #84061243) (Service Lane Part)	CK1 (6A1,6A2,6A5,6A7,6A8,6A9)	2008 - 2013	01
5	84061243	07.420	R	SEAT, FRT SPR UPR (ACDelco #84061243) (Service Lane Part)	CK1 (7A1,7A2,7A5,7A7,7A8,7A9)	2008 - 2013	01
8	25940741	07.371		BOOT, FRT S/ABS (Service Lane Part)	CK1	2007 - 2013	02

© 2022 General Motors

Make: Light Truck

Year: 2012

Model: Tahoe/Yukon/Escalade - 06 Bodystyle (4WD/AWD)

VIN: 1GKS2EEF0CR167640

L - Light Truck>2012>K - 57C - TK10706 - Tahoe/Yukon/Escalade - 06 Bodystyle (4WD/AWD)>07 - FRAMES-SPRINGS-SHOCKS-BUMPERS>(TC07-949) 2008-2013 CK1(06-36) ABSORBER/FRONT SHOCK & SPRING (REAL-TIME DAMPING Z55, MAGNERIDE Z95)

Regulatory Information - Warnings displayed by Part Description

Part Description - SEAT, FRT SPR UPR (ACDelco #84061243) (Service Lane Part)
WARNING: Cancer and Reproductive Harm - www.P65Warnings.ca.gov

Part Description - BOOT, FRT S/ABS (Service Lane Part)
WARNING: Cancer and Reproductive Harm - www.P65Warnings.ca.gov