

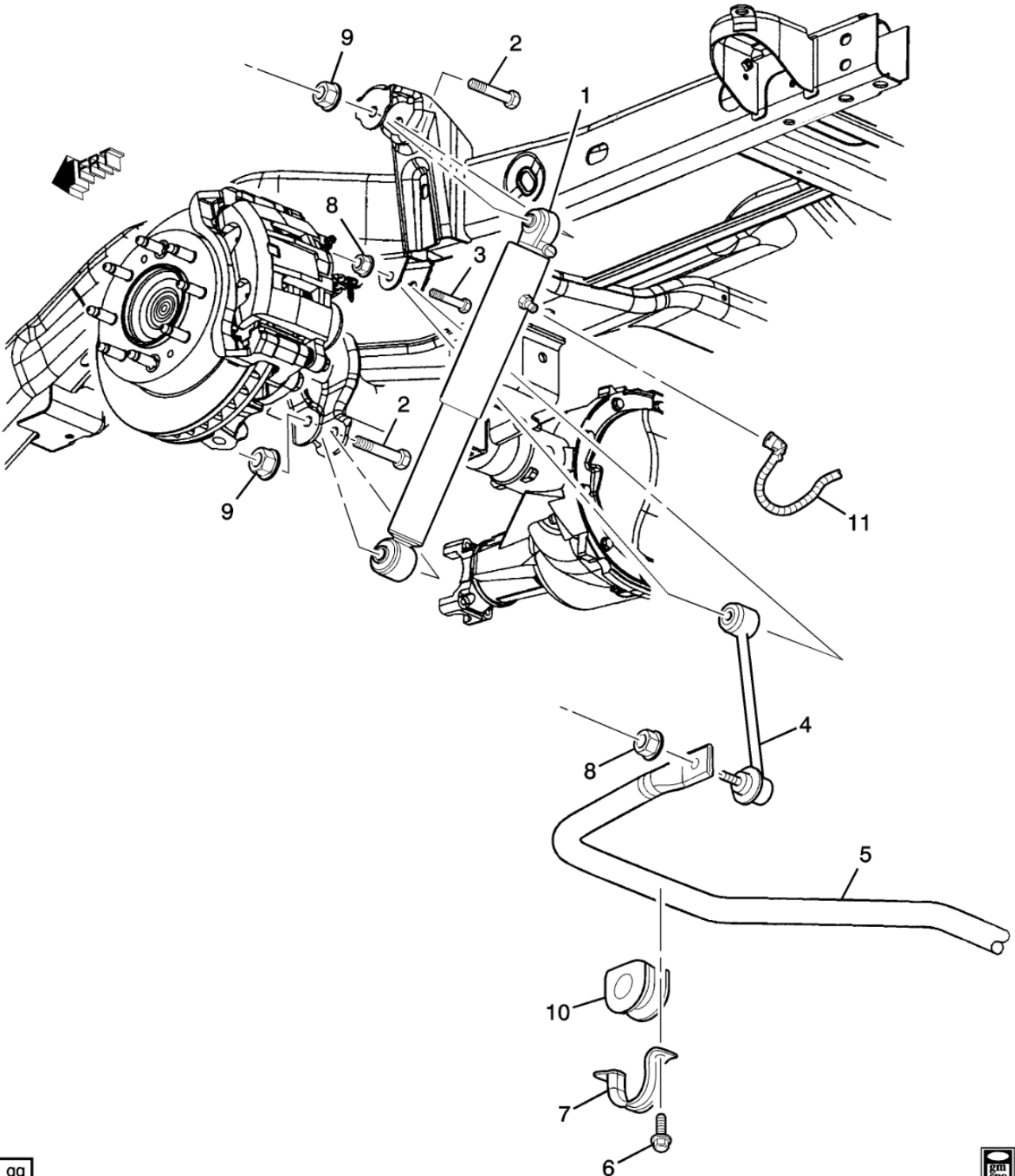


VIN: 1GKS2EEF0CR167640

L - Light Truck>2012>K - 57C - TK10706 - Tahoe/Yukon/Escalade - 06 Bodystyle (4WD/AWD)>07 - FRAMES-SPRINGS-SHOCKS-BUMPERS>(TC07-635) 2007-2013 CK1(06-36) SUSPENSION/REAR PART 1

 =  Single Use Part

TC07-635 02/03/2004



Make: Light Truck

Year: 2012

Model: Tahoe/Yukon/Escalade - 06 Bodystyle (4WD/AWD)

VIN: 1GKS2EEF0CR167640

L - Light Truck>2012>K - 57C - TK10706 - Tahoe/Yukon/Escalade - 06 Bodystyle (4WD/AWD)>07 - FRAMES-SPRINGS-SHOCKS-BUMPERS>(TC07-635) 2007-2013 CK1(06-36) SUSPENSION/REAR PART 1

Call	Part #	Group	H	Description	Usage	Year	Qty
1	19368461	07.346		ABSORBER, RR LVLG SHK (BLACK) (CONN USE 15306332) (ACDelco #580-1093) (Service Lane Part)	K107 (06) (Y91,Z55)	2009 - 2013	02
2	11611959	08.900		BOLT, HEX W/CON WA,M14X2X85,45 THD,28 OD,10.9, GMW3359 (RR S/ABS) (Service Lane Part)		2007 - 2014	04
3	11609243	08.900		BOLT, M12X1.75X65 (RR STAB SHF INSL CLA) (Service Lane Part)		2007 - 2014	02
4	15257472	07.240		LINK, RR STAB SHF (Service Lane Part)	CK1 (06-36)	2007 - 2013	02
5	22809843	07.241		SHAFT, RR STAB (Service Lane Part)	CK107 (06)	2007 - 2013	01
6	11518294	08.900		BOLT, HFH,M10X1.5X29.5,17.08 OD,6202M,4435M,TAP,TR-PT (RR STAB SHF INSL CLA) (Service Lane Part)		2007 - 2014	04
7	88891781	07.242		CLAMP, RR STAB SHF INSL (ACDelco #88891781) (Service Lane Part)	CK1 (06-36)	2007 - 2013	02
8	11516078	08.917		NUT, HFH,M12X1.75,14THK,25 O.D.,10,PZOR (RR STAB SHF LINK) (Service Lane Part)		2007 - 2014	04
9	11516382	08.917		NUT, HFH LK M14X2X15,28 OD 10 7111M (RR S/ABS) (Service Lane Part)		2007 - 2014	04
10	14071381	07.243		INSULATOR, RR STAB SHF (RUBBER) (28.6MM STAB BAR) (ACDelco #14071381) (Service Lane Part)	CK1 (06-36)	2007 - 2013	02
11		07.346		TUBE, RR S/ABS AIR (SEE GROUP 02 "WIRING HARNESS/CHASSIS" FOR DETAILED ILLUSTRATED VIEW) (17. 999)		2007 - 2014	

Make: Light Truck

Year: 2012

Model: Tahoe/Yukon/Escalade - 06 Bodystyle (4WD/AWD)

VIN: 1GKS2EEF0CR167640

L - Light Truck>2012>K - 57C - TK10706 - Tahoe/Yukon/Escalade - 06 Bodystyle (4WD/AWD)>07 - FRAMES-SPRINGS-SHOCKS-BUMPERS>(TC07-635) 2007-2013 CK1(06-36) SUSPENSION/REAR PART 1

Regulatory Information - Warnings displayed by Part Description

Part Description - ABSORBER, RR LVLG SHK (BLACK) (CONN USE 15306332) (ACDelco #580-1093) (Service Lane Part)
WARNING: Cancer and Reproductive Harm - www.P65Warnings.ca.gov

Part Description - BOLT, HEX W/CON WA,M14X2X85,45 THD,28 OD,10.9,GMW3359 (RR S/ABS) (Service Lane Part)
WARNING: Cancer and Reproductive Harm - www.P65Warnings.ca.gov

Part Description - BOLT, M12X1.75X65 (RR STAB SHF INSL CLA) (Service Lane Part)
WARNING: Cancer and Reproductive Harm - www.P65Warnings.ca.gov

Part Description - LINK, RR STAB SHF (Service Lane Part)
WARNING: Cancer and Reproductive Harm - www.P65Warnings.ca.gov

Part Description - SHAFT, RR STAB (Service Lane Part)
WARNING: Cancer and Reproductive Harm - www.P65Warnings.ca.gov

Part Description - BOLT, HFH,M10X1.5X29.5,17.08 OD,6202M,4435M,TAP,TR-PT (RR STAB SHF INSL CLA) (Service Lane Part)
WARNING: Cancer and Reproductive Harm - www.P65Warnings.ca.gov

Part Description - CLAMP, RR STAB SHF INSL (ACDelco #88891781) (Service Lane Part)
WARNING: Cancer and Reproductive Harm - www.P65Warnings.ca.gov

Part Description - NUT, HFH,M12X1.75,14THK,25 O.D.,10,PZOR (RR STAB SHF LINK) (Service Lane Part)
WARNING: Cancer and Reproductive Harm - www.P65Warnings.ca.gov

Part Description - NUT, HFH LK M14X2X15,28 OD 10 7111M (RR S/ABS) (Service Lane Part)
WARNING: Cancer and Reproductive Harm - www.P65Warnings.ca.gov

Part Description - INSULATOR, RR STAB SHF (RUBBER) (28.6MM STAB BAR) (ACDelco #14071381) (Service Lane Part)
WARNING: Cancer and Reproductive Harm - www.P65Warnings.ca.gov