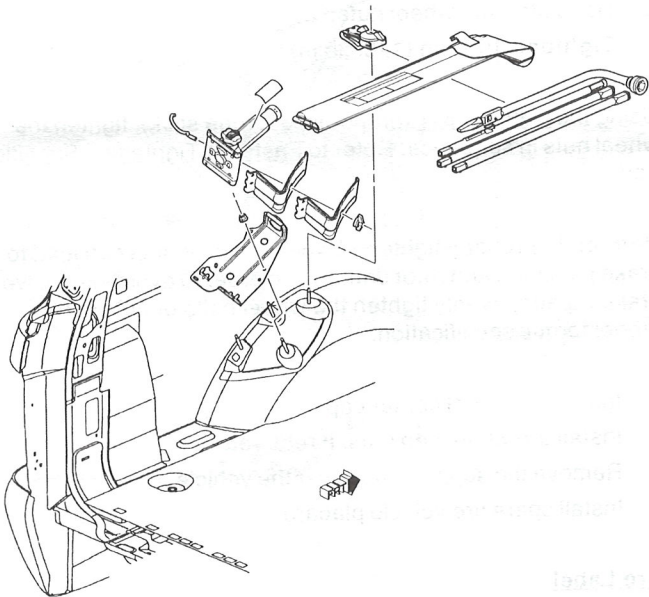
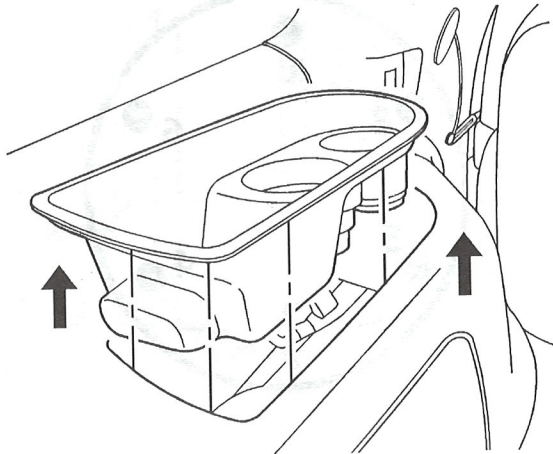
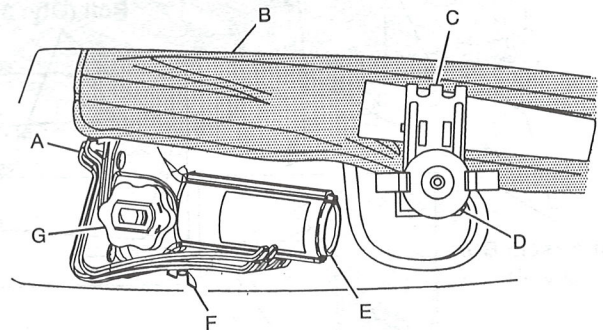


Jack and Tool Bag Installation

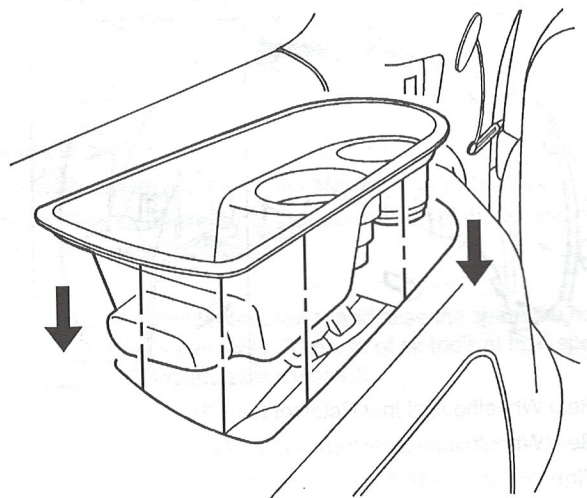
1. Remove the driver's side rear passenger storage tray as shown below.



- A. Wheel Blocks
- B. Tool Bag with Jack Tools
- C. Retaining Bracket
- D. Wing Nut Retaining Tool Bag
- E. Jack
- F. Wing Nut Retaining Wheel Blocks
- G. Wing Nut on Jack



1. Remove the storage tray trim panel located on the driver's side rear wheel house.
2. Remove the inflator canister(s) included with vehicle and discard.
3. Place the tools (wheel wrench, jack handle, and jack handle extensions) in the tool bag (B).
4. Assemble wheel blocks (A) and jack (E) together with the wing nut (F).
5. Position the jack (E) and wheel blocks (A) in the driver's side trim panel over the wheelhouse.
6. Turn the wing nut (G) clockwise until the jack is secured tight in the mounting bracket. Be sure to position the holes in the base of the jack onto the pin in the mounting bracket.
7. Use the retaining bracket (C) to fasten the tool bag (B) on the stud and turn the wing nut (D) clockwise to secure.
8. Return the storage tray to its original stored position.



Spare Tire Kit

REV 14MR08 PART NO. **19202099** SHEET **6** OF **18**

ALL INFORMATION WITHIN ABOVE BORDER TO BE PRINTED EXACTLY AS SHOWN ON 8.5x11 WHITE 16 POUND NON-BOND RECYCLABLE PAPER. PRINT ON BOTH SIDES, EXCLUDING TEMPLATES. TO BE UNITIZED IN ACCORDANCE WITH GMSPO SPECIFICATIONS.

DATE	REVISION	AUTH	DR

TITLE	PART NO.	SHEET	OF
INSTALLATION INSTRUCTIONS Spare Tire Kit	19202099	6	18