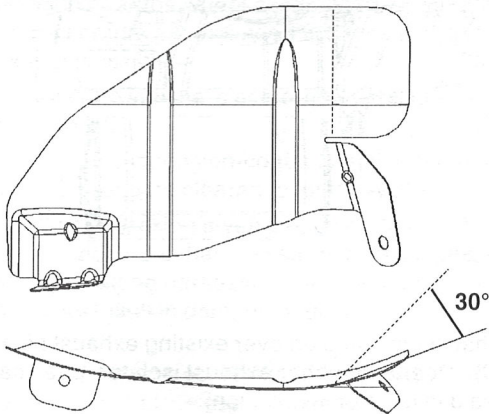
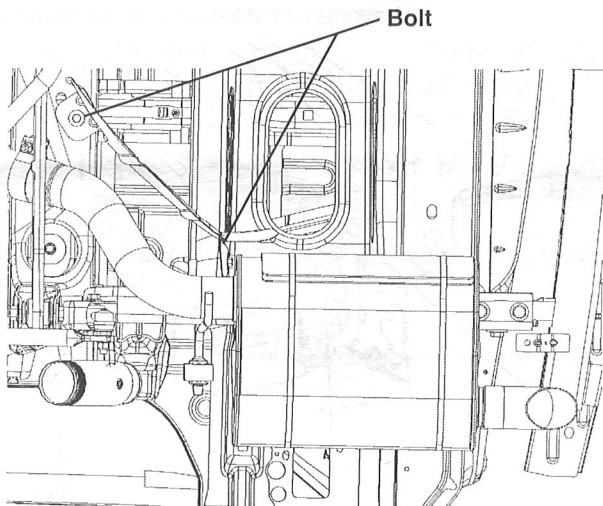


Heat Shield Installation

1. Bend heat shield included in kit as shown below.

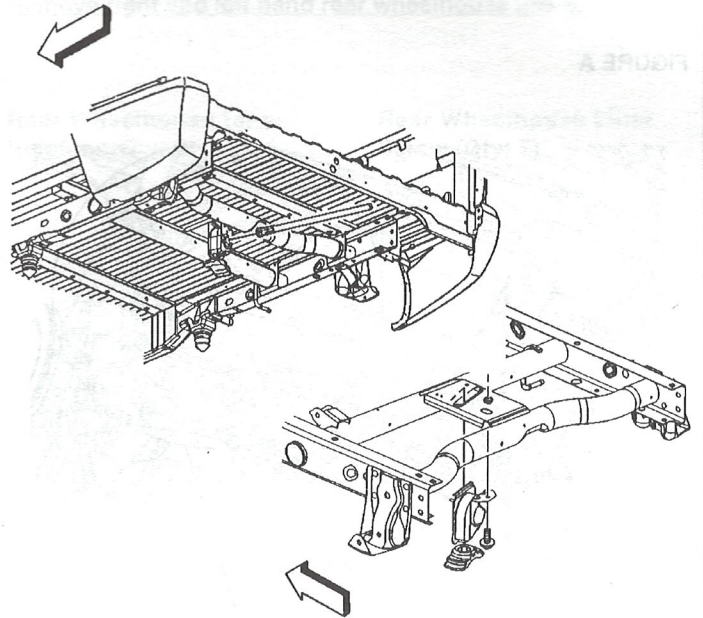


2. Install heat shield in position as shown below.

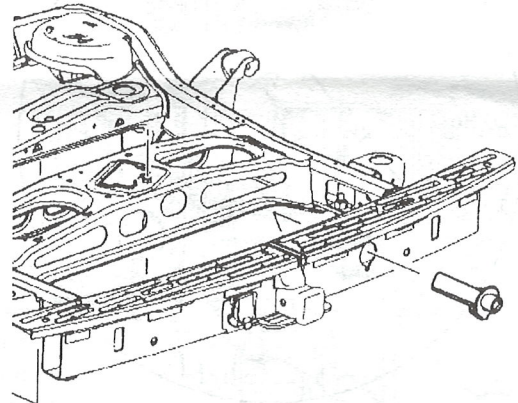


3. Install M8 Exhaust Shield Bolt (Qty: 2), Tighten to 40 Nm (30 lb ft.)

Spare Wheel Hoist Installation



1. Install the hoist to the cross member.
2. Install the bolt and tighten to 40 Nm (30 lb ft.).
3. Install the collar to the hoist.
4. Install the shaft to the hoist.



5. Install case assembly spare wheel.
 6. Install the spare tire and wheel assembly to the hoist.
- Note:** The spare tire is not included as part of this kit and needs to be purchased separately.

Notice: Use only hand tools to lower and raise the spare tire hoist assembly. Do not use air tools. The use of air tools at high speeds will damage the spare tire hoist assembly.

7. Rotate the hoist shaft clockwise until the spare tire is in position and the hoist clicks 2 times or it skips twice. You cannot over tighten the cable.

Spare Tire Kit

REV 14MR08

PART NO.

19202099

SHEET **4** OF **18**

ALL INFORMATION WITHIN ABOVE BORDER TO BE PRINTED EXACTLY AS SHOWN ON 8.5x11 WHITE 16 POUND NON-BOND RECYCLABLE PAPER. PRINT ON BOTH SIDES, EXCLUDING TEMPLATES. TO BE UNITIZED IN ACCORDANCE WITH GMSPO SPECIFICATIONS.

DATE	REVISION	AUTH	DR

TITLE	INSTALLATION INSTRUCTIONS		
	Spare Tire Kit		
PART NO.	19202099	SHEET	4 OF 18