

Exhaust Resonator Removal

FIGURE A

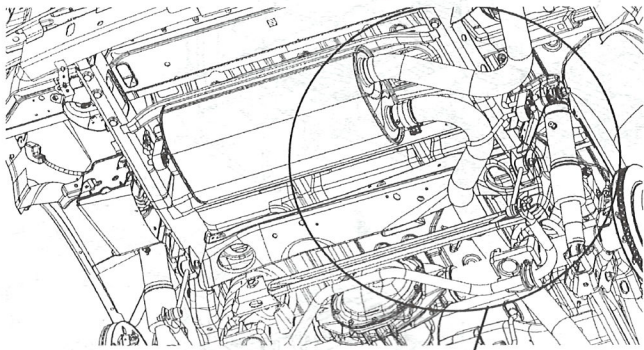
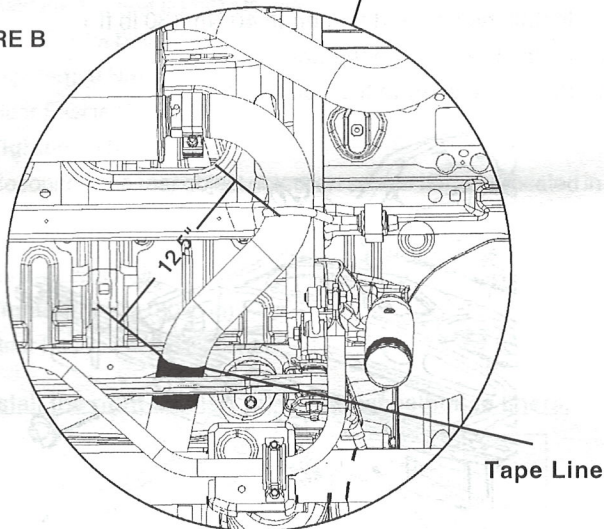


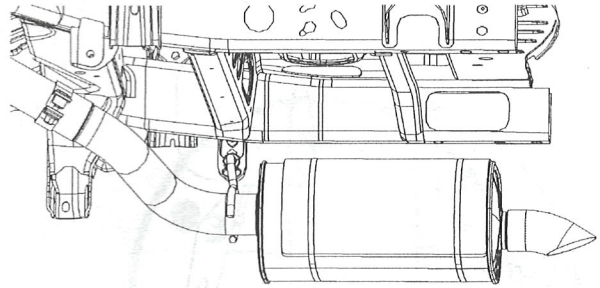
FIGURE B



1. Measure 12.5" from the exhaust hanger, and mark this location for cutting. At the marked location wrap exhaust pipe with masking tape where indicated (see Figures A and B). This will serve as a guide when cutting the exhaust pipe. Cut existing exhaust pipe where indicated above (see Figure B). Remove masking tape. Remove any burrs remaining on exhaust pipe with sandpaper or file.
2. Remove and discard resonator. (Note: soapy water is sometimes needed to separate rubber isolator from resonator).

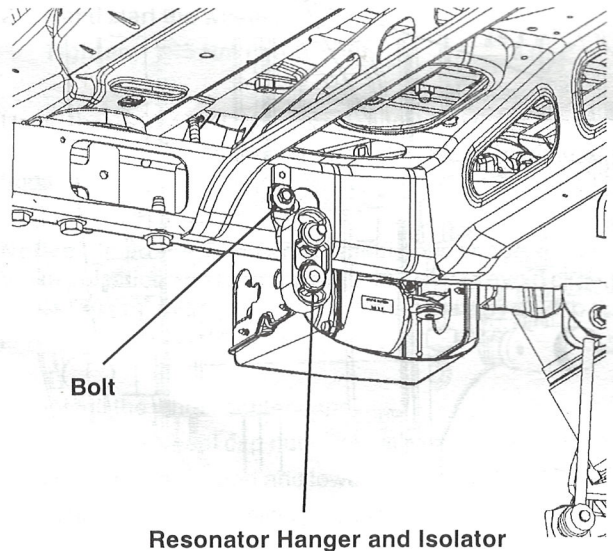
Exhaust Resonator Installation

FIGURE C



3. Slide exhaust pipe stub on over existing exhaust pipe (see Figure C). Reattach rubber exhaust isolator. Use soapy water to aid in isolator installation.
Note: The Isolator will be vertical when positioned correctly (see Figure C).
4. **Tighten:** Collar Bolt to 40 Nm (30 lb ft.).

FIGURE F



5. Remove bolt.
6. Remove resonator hanger and isolator on left side of vehicle. They are no longer required and should be discarded (see Figure F).

Spare Tire Kit

REV 14MR08 PART NO. **19202099** SHEET **3** OF **18**

ALL INFORMATION WITHIN ABOVE BORDER TO BE PRINTED EXACTLY AS SHOWN ON 8.5x11 WHITE 16 POUND NON-BOND RECYCLABLE PAPER. PRINT ON BOTH SIDES, EXCLUDING TEMPLATES. TO BE UNITIZED IN ACCORDANCE WITH GMSPO SPECIFICATIONS.

DATE	REVISION	AUTH	DR

TITLE	INSTALLATION INSTRUCTIONS		
	Spare Tire Kit		
PART NO.	19202099	SHEET	3 OF 18