

START-X[®]

— REMOTE — STARTER KIT

SELECT
BUICK
GMC
CHEVROLET
CADILLAC

WWW.REMOTESTARTX.COM

HELP@REMOTESTARTX.COM



Watch the video at:
RemoteStartX.com/GM11

START-X[®]

Feel free to contact us for any questions, technical difficulties, or further guidance.

We are here to help.

help@remotestartx.com

When contacting support, please state the year, make, and model of your vehicle, as well as the serial # from the back of the remote starter module.

92022

Kit Contents



1 REMOTE START MODULE

2 PROFESSIONAL INSTALLATION

Hood pin and loose wires for a professional installer.

3 T-HARNES

4 ZIP TIES

Use to tie up wires and secure the module in the vehicle.

5 PRY TOOL

Use to assist with disassembly of the vehicle.

Operating Instructions

- Press LOCK 3 times to start the vehicle.
- Pressing LOCK 3 times again will shut off the vehicle.
- Pressing the brake will shut down the vehicle.
- The remote starter will shut off after 15 minutes.
- After remote starting, enter the vehicle and turn the key to on. Don't crank.

7 Red Flashes

If the remote starter flashes red 7 times when attempting to remote start, please do the following:

- Cycle the key on/off, then hold the button on the module.
- When it lights up orange, let go. *It should flash green and red.*
- Hit unlock once. *It should flash green once and red twice.*
- Hold the button again until you get solid orange and let go.
- Then try remote starting again.

Module Programming

- 1 Connect all the remote starter connectors to the module.

Wait until the LED turns solid red.



- 2 Turn the ignition ON.
The LED will turn solid green for 3 seconds, then shut off. It may take up to one minute.



- 3 Turn the ignition OFF. Remove the key.



YOUR MODULE IS NOW SUCCESSFULLY PROGRAMMED.

If the programming is not successful, reset the module and program it again.

To reset the module:

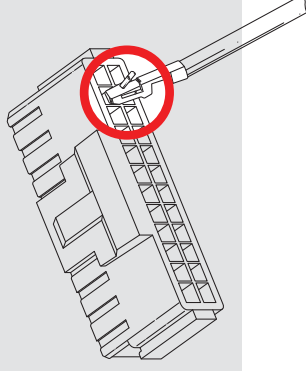
1. Insert the blue connector while holding down the button on the remote starter module.
2. Wait 3 seconds until the solid orange LED turns on.
3. Release the programming button right away. The red LED should be on. Module is now reset.

Operating Instructions

1. Remove the lower half of the steering column cover.
See Pg. 5 and watch RemoteStartX.com/GM11
2. Connect the t-harness to the vehicle.
See Pg. 5 and watch RemoteStartX.com/GM11
3. Connect the t-harness to the remote start module.
4. Program the remote start module. (Pg. 6)
5. Test the remote starter.
6. Secure the remote start module and t-harness with the included zip ties.
7. Reconnect the lower half of the steering column cover.

Adding Optional Wires:

When adding additional wires, ensure that the side of the wire with the tab is facing the outer edge of the connector.



HELP@REMOTESTARTX.COM

© 2019 BA Technologies LLC All Rights Reserved | 6

HELP@REMOTESTARTX.COM

© 2019 BA Technologies LLC All Rights Reserved | 3

T-harness Components

T-harness Installation

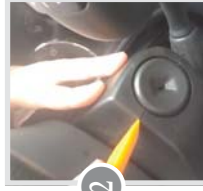


- 1 OBD2 T-harness
- 2 Ignition Switch T-harness
- 3 Immobilizer T-harness
- 4 Fuse
- 5 Remote starter module connectors



1

Remove the tilt lever by pulling hard on it.
(If the vehicle does not have a tilt lever, skip this step.)



2

Unsnap the steering column cover. In some vehicles there are bolts underneath that must be removed.



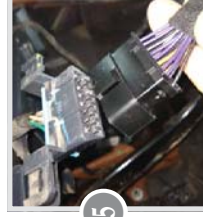
3

Connect the:
1- Immobilizer T-harness
2- Ignition T-harness
in line with the factory connectors.



4

Remove the OBD2 port from the mounting bracket.



5

Connect the OBD2 t-harness inline with the factory connector.
Mount the OBD2 connector from the t-harness to the vehicle.