

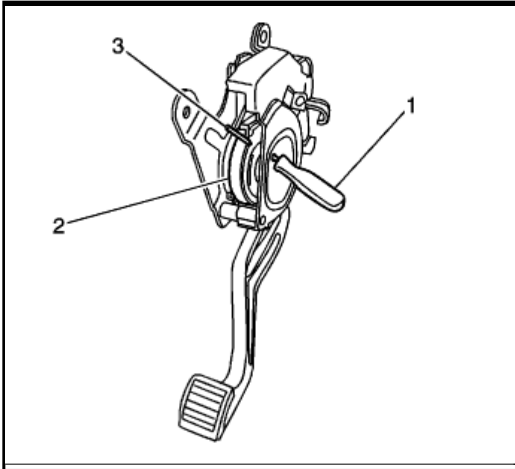
Your Vehicle: 2009 GMC Truck Yukon XL 4WD V8-5.3L

[Vehicle](#) » [Brakes and Traction Control](#) » [Parking Brake System](#) » [Parking Brake Cable](#) » [Service and Repair](#) » [Park Brake Cable Adjuster Disabling](#)

Park Brake Cable Adjuster Disabling

Parking Brake Cable Adjuster Disabling

Before any components of the [parking brake system](#) are serviced, the following procedure must be followed. Two technicians are required to perform this procedure, one inside the vehicle and one outside the vehicle.



1. Raise and support the vehicle. Refer to Lifting and Jacking the Vehicle ([See: Maintenance\Vehicle Lifting\Service and Repair](#)).
2. Hold the pedal in the FULL upward position.
3. Pull rearward on the front park brake cable until the pedal drum (2) reaches its full reset position.
4. Insert a thin tool (1) on an upward angle through the hole in the front of the pedal assembly, past the retracted pedal drum, and into the hole in the back of the pedal assembly (3).
5. Slowly release the cable.
6. Remove the component that requires service.

[Account](#) | [Vehicle](#) | [Help](#) | [Contact](#) | [AutoZone Community](#) | [Exit](#)